



jumpsource

Single Needle, Two Thread, Chainstitch Machine

Illustrated Parts List



Tape Edge Machine

Model **300UX-5**

300UX-5

ILLUSTRATED PARTS LIST



jumpsource

**We can also supply proprietary parts in most cases for
Cash*, Spuhl*, Porter, United* Tape Edge workstations.**

Orders may be placed by:

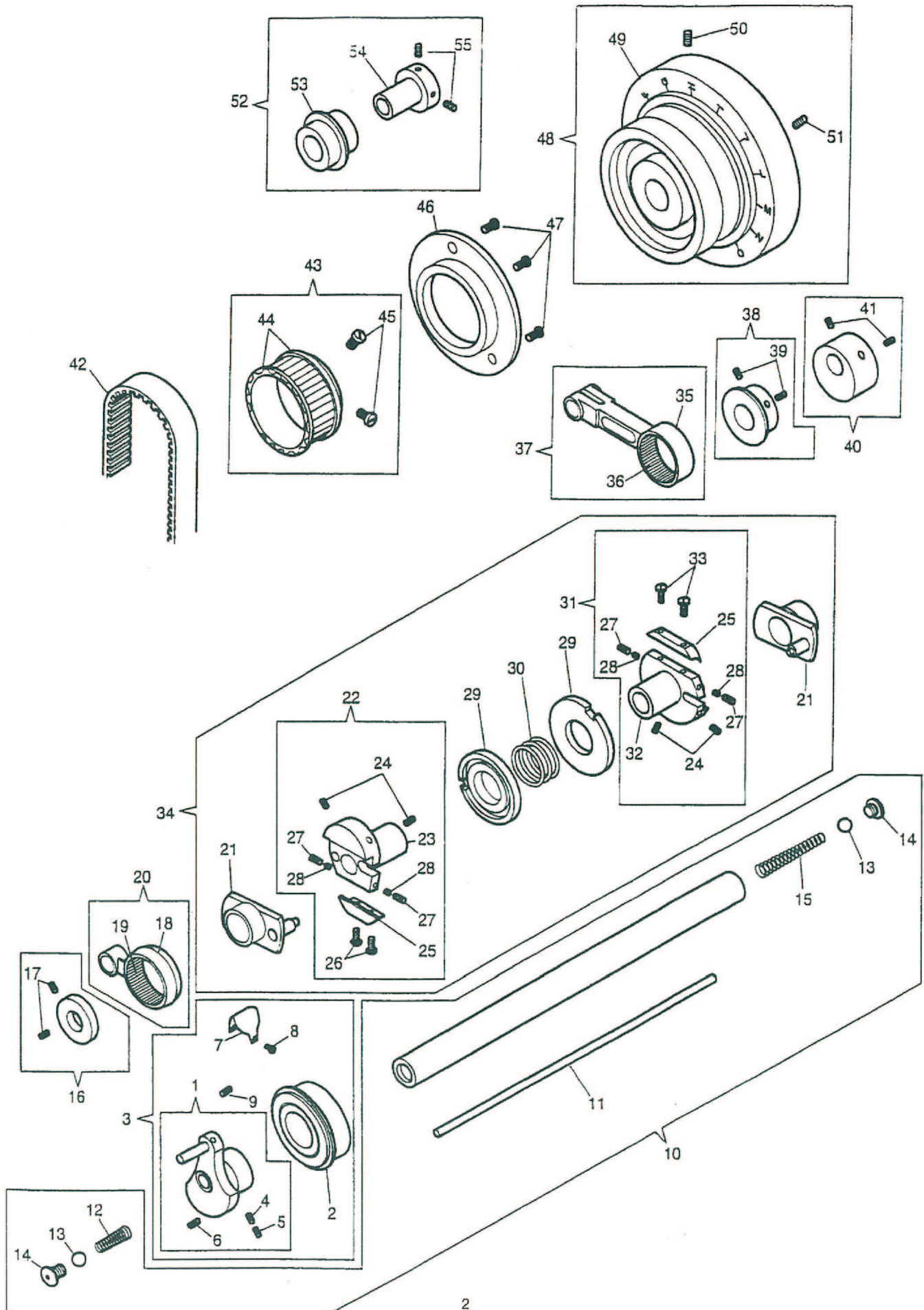
Phone: **978-969-1872**

Fax: **978-998-4823**

Email: **sales@jumpsource.com**

*Cash, Spuhl, Porter, and United are the trademarks of their respective companies.

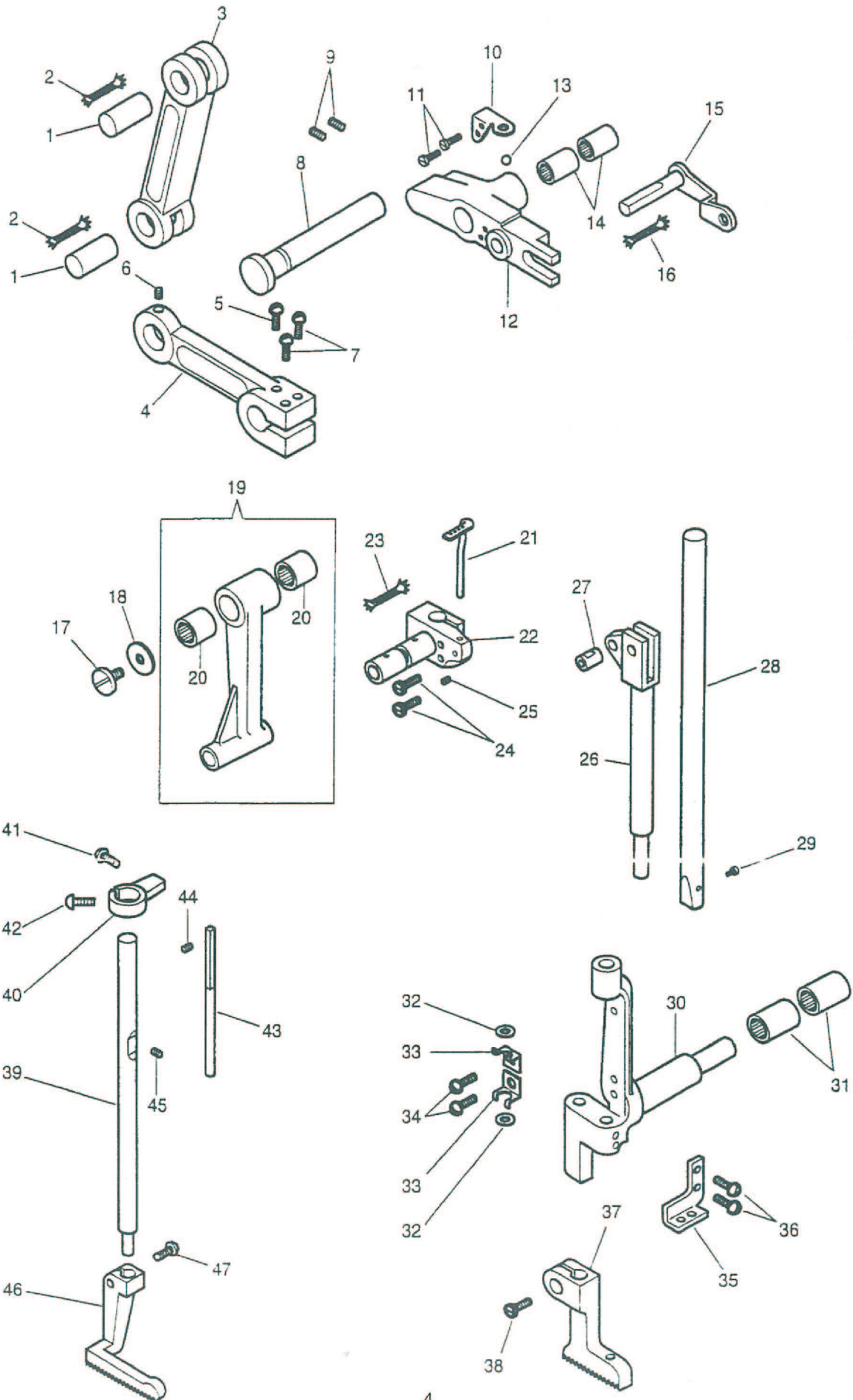
UPPER SHAFT ASSEMBLY



UPPER SHAFT ASSEMBLY

NO.	PART NO.	DESCRIPTION
1	415138	NEEDLE BAR CRANK WITH 500272-833, 544358 AND 549924
2	32848	ARM SHAFT BALL BEARING (FRONT)
3	281239	NEEDLE BAR CRANK COMPLETE, NOS. 415138 AND 32848
4	549024	NEEDLE BAR CRANK POSITION SCREW
5	544358	NEEDLE BAR CRANK POSITION SCREW CHECK SCREW
6	500272-833	NEEDLE BAR CRANK SET SCREW
7	281206	NEEDLE BAR CRANK COVER
8	545205-451	NEEDLE BAR CRANK COVER SCREW (2)
9	281258	NEEDLE BAR CRANK OIL PACKING (WICK)
10	415128	ARM SHAFT WITH 268009, 268044, 268264, TWO EACH 268214 AND 414578
11	268264	ARM SHAFT OIL CONTROL ROD (WOOD)
12	268009	ARM SHAFT OIL STOP BALL SPRING (FRONT)
13	268214	ARM SHAFT OIL STOP BALL 5/32IN. DIAM (2)
14	414578	ARM SHAFT OIL STOP BALL SCREW (2)
15	268044	ARM SHAFT OIL STOP BALL SPRING (REAR)
16	415308	LIFTING ECCENTRIC SPACING COLLAR WITH TWO 414529
17	414529	NEEDLE BAR ROCK FRAME DRIVING ECCENTRIC SPACING COLLAR SET SCREW (2)
18	268060	NEEDLE BAR ROCK FRAME DRIVING CONNECTION
19	271055	NEEDLE BAR ROCK FRAME DRIVING CONNECTION NEEDLE BEARING
20	267609	NEEDLE BAR ROCK FRAME DRIVING CONNECTION 268060 WITH 415368
21	267610	NEEDLE BAR ROCK FRAME DRIVING ECCENTRIC
21	267610	LIFTING ECCENTRIC
22	415078	NEEDLE BAR ROCK FRAME ECCENTRIC FLANGE 415079 WITH 267623 AND TWO EACH 241763, 414555, 414557 AND 374098
23	415079	NEEDLE BAR ROCK FRAME DRIVING ECCENTRIC FLANGE
24	414555	NEEDLE BAR ROCK FRAME DRIVING ECCENTRIC FLANGE SET SCREW (2)
24	414555	LIFTING ECCENTRIC FLANGE SET SCREW (2)
25	267623	NEEDLE BAR ROCK FRAME DRIVING ECCENTRIC FRICTION PLATE
25	267623	LIFTING ECCENTRIC FRICTION PLATE
26	374098	NEEDLE BAR ROCK FRAME DRIVING ECCENTRIC FRICTION PLATE SCREW (2)
27	414557	NEEDLE BAR ROCK FRAME DRIVING ECCENTRIC FRICTION PLATE SCREW SET SCREW (2)
27	414557	LIFTING ECCENTRIC FRICTION PLATE SCREW SET SCREW (2)
28	241763	NEEDLE BAR ROCK FRAME DRIVING ECCENTRIC FRICTION PLATE SCREW SET SCREW PACKING (2)
28	241763	LIFTING ECCENTRIC FRICTION PLATE SET SCREW PACKING (2)
29	268065	NEEDLE BAR ROCK FRAME DRIVING ECCENTRIC ADJUSTING DISC
29	268065	LIFTING ECCENTRIC ADJUSTING DISC
30	268618	LIFTING ECCENTRIC ADJUSTING DISC SPRING
31	415076	LIFTING ECCENTRIC FLANGE 415077 WITH 267623 AND TWO EACH 241763, 414555, 414557 AND 544286
32	415077	LIFTING ECCENTRIC FLANGE
33	544286	LIFTING ECCENTRIC FLANGE FRICTION PLATE SCREW (2)
34	415081	LIFTING ECCENTRIC AND NEEDLE BAR ROCK FRAME DRIVING ECCENTRIC COMPLETE, NOS. 267618, 415076, 415078 AND TWO EACH 267610, 268065
35	268490	LIFTING ECCENTRIC CONNECTION
36	271055	LIFTING ECCENTRIC CONNECTION NEEDLE BEARING
37	268491	LIFTING ECCENTRIC CONNECTION 268490 WITH 271055
38	415086	LIFTING ECCENTRIC SPACING COLLAR WITH TWO 414529
39	414529	LIFTING ECCENTRIC SPACING COLLAR SET SCREW (2)
40	281256	COUNTER BALANCE WITH TWO 544208-005
41	544208-005	COUNTER BALANCE SET SCREW (2)
42	268270	ARM SHAFT CONNECTION BELT (REINFORCED NEOPRENE)
43	281290	ARM SHAFT CONNECTION BELT PULLEY WITH TWO EACH 414546 AND 202253
44	202253	ARM SHAFT CONNECTION BELT PULLEY SPRING FLANGE (2)
45	414546	ARM SHAFT CONNECTION BELT PULLEY SET SCREW (2)
46	268004-451	ARM SHAFT BALL BEARING (BACK) HOUSING
47	544336	ARM SHAFT BALL BEARING (BACK) HOUSING SCREW (3)
48	415153-451	MACHINE PULLEY 415154-451 WITH 272142
49	415154-451	MACHINE PULLEY WITH 414525 AND 414526
50	414525	MACHINE PULLEY SET SCREW
51	414526	MACHINE PULLEY POSITION SCREW
52	281294	ARM SHAFT THRUST COLLAR WITH 272142, 281295-001 AND TWO 544209-005
53	272142	ARM SHAFT BALL BEARING BACK
54	281295-001	ARM SHAFT THRUST COLLAR
55	544209-005	ARM SHAFT THRUST COLLAR SET SCREW

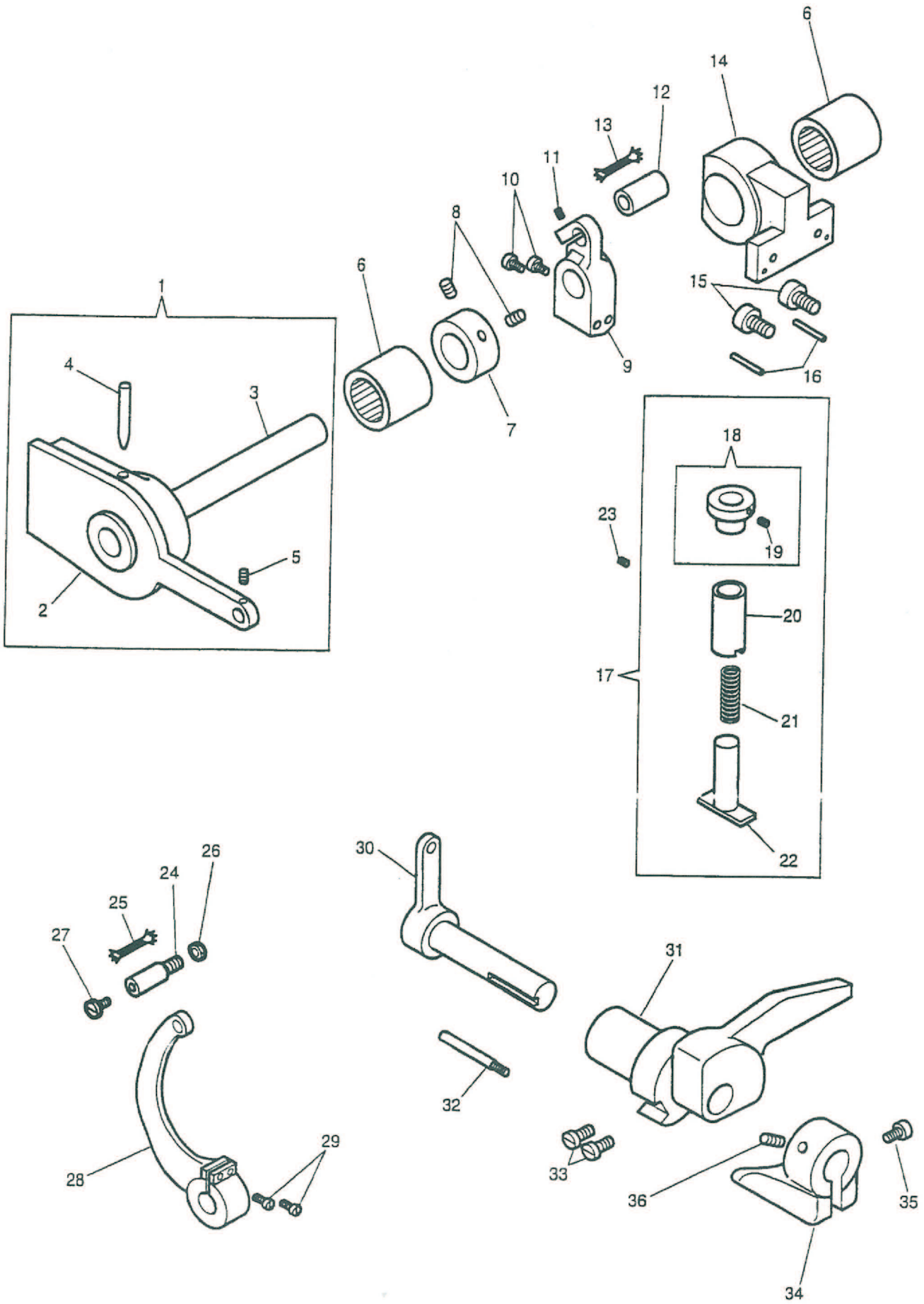
FRONT ASSEMBLY SEWING ARM



FRONT ASSEMBLY SEWING ARM

NO.	PART NO.	DESCRIPTION
1	267617	LIFTING ECCENTRIC CONNECTION HINGE PIN WITH 268258
1	267617	LIFTING LINK HINGE PIN WITH 268258
2	268258	LIFTING ECCENTRIC CONNECTION HINGE PIN OIL PACKING (WICK)
2	268258	LIFTING LINK HINGE PIN OIL PACKING (WICK)
3	267627	LIFTING LINK
4	415061	LIFTING CRANK WITH 141424, 141338 AND TWO 414511
5	141338	LIFTING CRANK SET SCREW
6	141424	LIFTING LINK HINGE PIN SET SCREW (2)
7	414511	LIFTING CRANK PINCH SCREW (2)
8	267626	LIFTING LEVER HINGE STUD
9	544322	LIFTING LEVER HINGE STUD SET SCREW (2)
10	267718	PRESSER BAR SPRING ARM BALL RETAINER
11	414548	PRESSER BAR SPRING ARM BALL RETAINER SCREW (2)
12	415067	LIFTING LEVER WITH TWO 267093
13	276025	PRESSER BAR SPRING ARM BALL
14	267093	LIFTING LEVER NEEDLE BEARING (2)
15	267631	LIFTING PRESSER BAR LIFTING CRANK WITH 268258
16	268258	LIFTING PRESSER BAR LIFTING CRANK OIL PACKING (WICK)
17	414517	NEEDLE BAR CONNECTING LINK CAP WASHER SCREW
18	268139	NEEDLE BAR CONNECTING LINK CAP WASHER
19	281915	NEEDLE BAR CONNECTING LINK WITH TWO 270266
20	270266	NEEDLE BAR CONNECTING LINK NEEDLE BEARING (2)
21	268512	NEEDLE THREAD GUIDE (ON NEEDLE BAR CONNECTING STUD)
22	281914	NEEDLE BAR CONNECTING STUD WITH 202330, 414545 AND TWO 414511
23	202330	NEEDLE BAR CONNECTING STUD OIL PACKING (WICK)
24	414511	NEEDLE BAR CONNECTING STUD PINCH SCREW (2)
25	414545	NEEDLE THREAD GUIDE (ON NEEDLE BAR CONNECTING STUD) SET SCREW
26	267657	VIBRATING PRESSER BAR
27	267658	VIBRATING PRESSER BAR HINGE STUD
28	281912	NEEDLE BAR
29	414519	NEEDLE SET SCREW
30	415045	NEEDLE BAR ROCK FRAME
31	268029	NEEDLE BAR ROCK FRAME NEEDLE BEARING (2)
32	268144	NEEDLE BAR OILING FELT (2)
33	268278	NEEDLE BAR OILING FELT HOLDER (2)
34	414522	NEEDLE BAR OILING FELT HOLDER SCREW (2)
35	268219	NEEDLE BAR ROCK FRAME THREAD GUIDE
36	414539	NEEDLE BAR ROCK FRAME THREAD GUIDE SCREW (2)
37	559057	VIBRATING PRESSER FOOT
38	414638	VIBRATING PRESSER FOOT PINCH SCREW
39	267628	LIFTING PRESSER BAR
40	415059	LIFTING PRESSER BAR GUIDE BLOCK WITH 414512 AND 414516
41	414516	LIFTING PRESSER BAR GUIDE BLOCK ADJUSTING SCREW
42	414512	LIFTING PRESSER BAR GUIDE BLOCK PINCH SCREW
43	267907	LIFTING PRESSER BAR GUIDE ROD
44	544301	LIFTING PRESSER BAR GUIDE ROD SET SCREW (UPPER)
45	414530	LIFTING PRESSER BAR GUIDE ROD SET SCREW (LOWER)
46	559059	LIFTING PRESSER FOOT
47	414638	LIFTING PRESSER FOOT PINCH SCREW

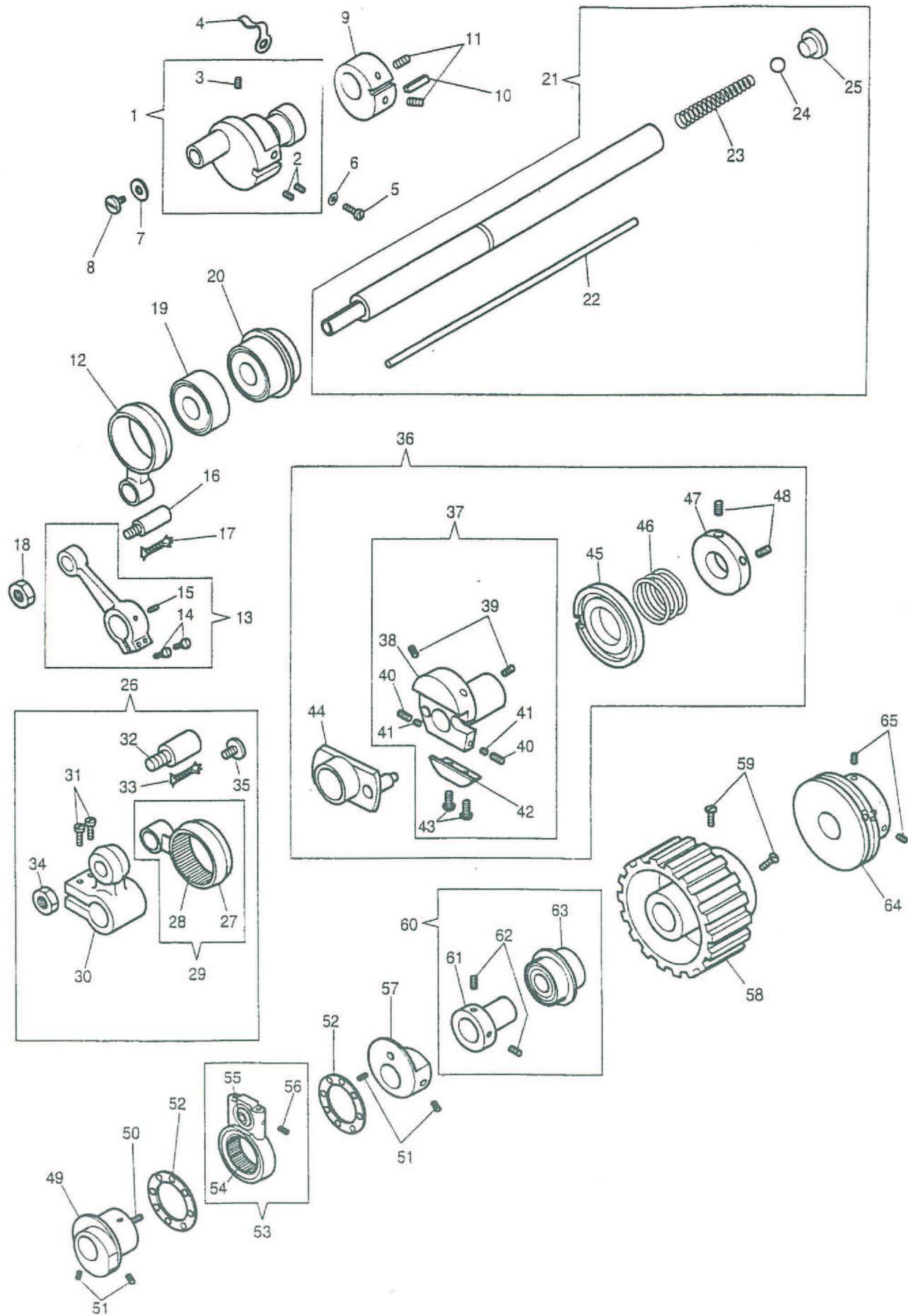
EXTERNAL PARTS SEWING ARM



EXTERNAL PARTS SEWING ARM

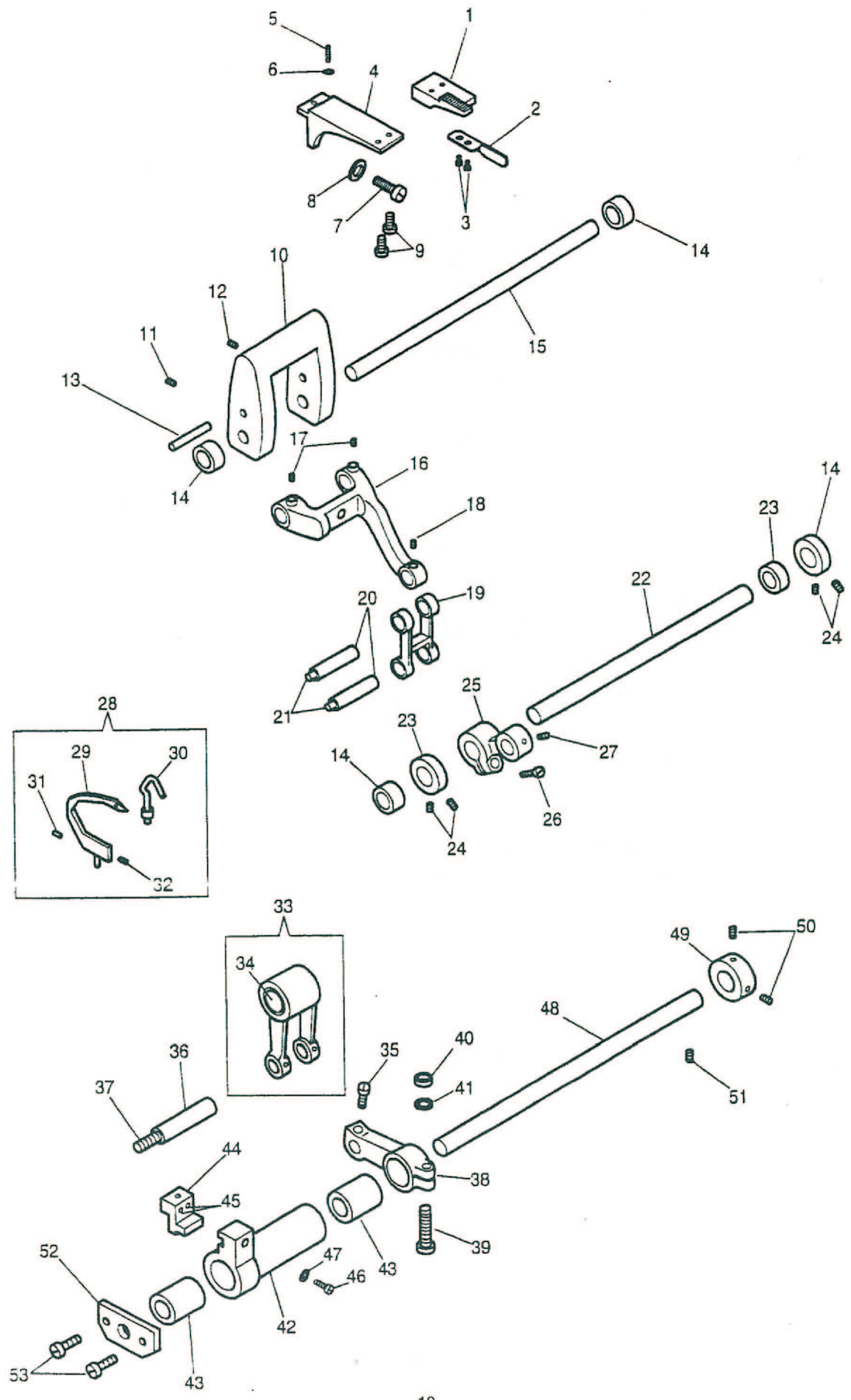
NO.	PART NO.	DESCRIPTION
1	32789	LIFTING ROCK SHAFT 267633 WITH 32788, 548035 AND 141422
2	32788	LIFTING ROCK SHAFT CRANK WITH 141424
3	267633	LIFTING ROCK SHAFT
4	548035	LIFTING ROCK SHAFT CRANK PIN
5	141424	LIFTING LINK HINGE PIN SET SCREW
6	267110	LIFTING ROCK SHAFT NEEDLE BEARING (2)
7	415065	LIFTING ROCK SHAFT COLLAR WITH TWO 504020
8	504020	LIFTING ROCK SHAFT COLLAR SET SCREW (2)
9	415069	LIFTING ECCENTRIC CONNECTION CRANK WITH 414543 AND TWO 414509
10	414509	LIFTING ECCENTRIC CONNECTION CRANK PINCH SCREW (2)
11	414543	LIFTING ECCENTRIC CONNECTION HINGE PIN PINCH SCREW
12	267617	LIFTING ECCENTRIC CONNECTION HINGE PIN WITH 268258
13	268258	LIFTING ECCENTRIC CONNECTION HINGE PIN OIL PACKING (WICK)
14	415071-451	LIFTING ROCK SHAFT BRACKET
15	414504	LIFTING ROCK SHAFT BRACKET SCREW (2)
16	543841-001	LIFTING ROCK SHAFT BRACKET POSITION PIN (2)
17	415098	NEEDLE BAR ROCK FRAME REGULATING STUD COMPLETE, NOS. 214529, 415099, 268148 AND 268149
18	415099	NEEDLE BAR ROCK FRAME REGULATING STUD CAP WITH 414528
19	414528	NEEDLE BAR ROCK FRAME REGULATING STUD CAP SET SCREW
20	268149	NEEDLE BAR ROCK FRAME REGULATING STUD SLEEVE
21	214529	NEEDLE BAR ROCK FRAME REGULATING STUD SPRING
22	268148	NEEDLE BAR ROCK FRAME REGULATING STUD
23	414527	NEEDLE BAR ROCK FRAME REGULATING STUD SLEEVE SET SCREW
24	415092	NEEDLE BAR ROCK FRAME DRIVING CONNECTION HINGE STUD
25	268258	NEEDLE BAR ROCK FRAME DRIVING CONNECTION HINGE STUD OIL PACKING (2)
26	541197	NEEDLE BAR ROCK FRAME DRIVING CONNECTION HINGE STUD NUT
27	545297	NEEDLE BAR ROCK FRAME DRIVING CONNECTION CAP SCREW
28	415094-451	NEEDLE BAR ROCK FRAME DRIVING ARM WITH TWO 414790
29	414790	NEEDLE BAR ROCK FRAME DRIVING ARM PINCH SCREW (2)
30	267612	FOOT LIFTER CRANK
31	267719-451	PRESSER BAR SPRING ARM FULCRUM
32	414566	FOOT LIFTER CRANK STOP SCREW STUD
33	350604	PRESSER BAR SPRING ARM FULCRUM SET SCREW (2)
34	415122	FOOT LIFTER ARM WITH 414509 AND 545213
35	414509	FOOT LIFTER ARM PINCH SCREW
36	545213	FOOT LIFTER ARM SET SCREW

LOWER SHAFT ASSEMBLY



NO.	PART NO.	DESCRIPTION
1	415176	LOOPER DRIVING CRANK WITH 500264-833 AND TWO 374099
2	347099	LOOPER DRIVING CRANK POSITION SCREW (2)
3	500264-833	LOOPER DRIVING CRANK SET SCREW
4	268102	LOOPER DRIVING CRANK OIL HOLE COVER
5	414563	LOOPER DRIVING CRANK OIL HOLE COVER SCREW
6	204925	LOOPER DRIVING CRANK OIL HOLE COVER SCREW WASHER
7	418465	LOOPER DRIVING CONNECTION WASHER
8	414518	LOOPER DRIVING CONNECTION WASHER SCREW
9	415210	FEED LIFTING ECCENTRIC WITH 268077 AND TWO 544204-001
10	268077	FEED LIFTING ECCENTRIC LUBRICATING PAD (WOOD)
11	544208-005	FEED LIFTING ECCENTRIC SET SCREW (2)
12	268074	FEED LIFTING CONNECTION
13	415206	FEED LIFTING ROCK SHAFT CRANK WITH 414549 AND TWO 414511
14	414511	FEED LIFTING ROCK SHAFT CRANK PINCH SCREW (2)
15	414549	FEED LIFTING ROCK SHAFT CRANK POSITION SCREW
16	415092	FEED LIFTING CONNECTION HINGE STUD
17	268258	FEED LIFTING CONNECTION HINGE STUD OIL PACKING (WICK)
18	541197	FEED LIFTING CONNECTION HINGE STUD NUT
19	281216	BED SHAFT BALL BEARING
20	281224	BED SHAFT BALL BEARING
21	559038	BED SHAFT WITH 268044, 268214, 268265 AND 414578
22	268265	BED SHAFT OIL CONTROL ROD (WOOD)
23	268044	BED SHAFT OIL STOP BALL SPRING
24	268214	BED SHAFT OIL STOP BALL 5/32 IN. DIAM.
25	414578	BED SHAFT OIL STOP BALL SCREW
26	415212	FEED DRIVING ROCK SHAFT CRANK 415213 WITH 268061, 415091, 541197 AND 545297
27	268608	FEED DRIVING CONNECTION
28	271055	FEED DRIVING CONNECTION NEEDLE BEARING
29	268609	FEED DRIVING CONNECTION 268060 WITH 415368
30	415213	FEED DRIVING ROCK SHAFT CRANK WITH TWO 414511
31	414511	FEED DRIVING ROCK SHAFT CRANK PINCH SCREW (2)
32	415092	FEED DRIVING CONNECTION HINGE STUD
33	268258	FEED DRIVING CONNECTION HINGE STUD OIL PACKING (WICK)
34	541197	FEED DRIVING CONNECTION HINGE STUD NUT
35	545297	FEED DRIVING CONNECTION CAP SCREW
36	415082	FEED DRIVING ECCENTRIC COMPLETE, NOS. 268610, 268065, 268066, 412011 AND 415073
37	415073	FEED DRIVING ECCENTRIC FLANGE 415074 WITH 267623 AND TWO EACH 241763, 414555, 414557 AND 374098
38	415074	FEED DRIVING ECCENTRIC FLANGE
39	414555	FEED DRIVING ECCENTRIC FLANGE SET SCREW (2)
40	414557	FEED DRIVING ECCENTRIC FRICTION PLATE SCREW SET SCREW (2)
41	241763	FEED DRIVING ECCENTRIC FRICTION PLATE SCREW SET SCREW PACKING (BRASS)
42	267263	FEED DRIVING ECCENTRIC FRICTION PLATE
43	374098	FEED DRIVING ECCENTRIC FRICTION PLATE SCREW (2)
44	267610	FEED DRIVING ECCENTRIC
45	268065	FEED DRIVING ECCENTRIC ADJUSTING DISC
46	268066	FEED DRIVING ECCENTRIC ADJUSTING DISC SPRING
47	412011	FEED DRIVING ECCENTRIC ADJUSTING DISC SPRING COLLAR WITH TWO 54432
48	544325	FEED DRIVING ECCENTRIC ADJUSTING DISC SPRING COLLAR SET SCREW (2)
49	415187	SPREADER DRIVING ECCENTRIC AND 543808-002 WITH TWO 414528
50	543808-002	SPREADER DRIVING ECCENTRIC PIN
51	414528	SPREADER DRIVING ECCENTRIC SET SCREW (2)
51	414528	SPREADER DRIVING ECCENTRIC COUNTERBALANCE SET SCREW (2)
52	268220	SPREADER DRIVING ECCENTRIC THRUST WASHER (2)
53	281246	SPREADER DRIVING CONNECTION WITH 415368, 281248 AND 544201-001
54	415368	SPREADER DRIVING CONNECTION NEEDLE BEARING
55	281248	SPREADER DRIVING ROCK SHAFT SCREW STUD BALL ROLLER
56	544203-001	SPREADER DRIVING ROCK SHAFT SCREW STUD BALL ROLLER SET SCREW
57	415190	SPREADER DRIVING ECCENTRIC COUNTERBALANCE WITH TWO 414528
58	281292	BED SHAFT CONNECTION BELT PULLEY WITH TWO 414546
59	414546	BED SHAFT CONNECTION BELT PULLEY SET SCREW (2)
60	281294	BED SHAFT THRUST COLLAR WITH 281295-001, 272142, AND TWO 544209-005
61	281295-001	BED SHAFT THRUST COLLAR
62	544209-005	BED SHAFT THRUST COLLAR SET SCREW (2)
63	272142	BED SHAFT THRUST COLLAR BEARING
64	559040	BED SHAFT PULLEY
65	544209-005	BED SHAFT PULLEY SET SCREW (2)

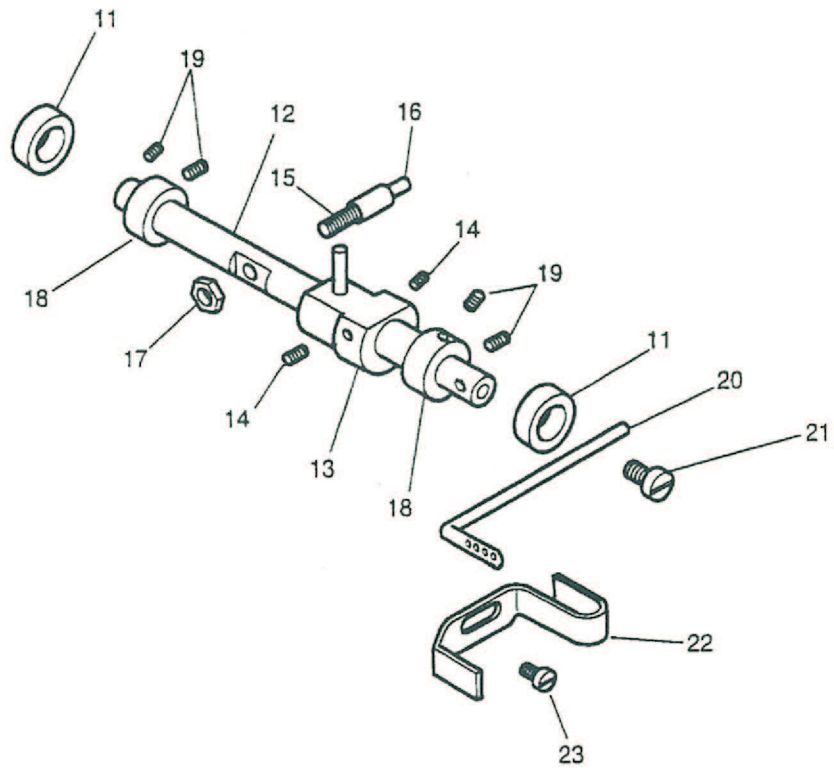
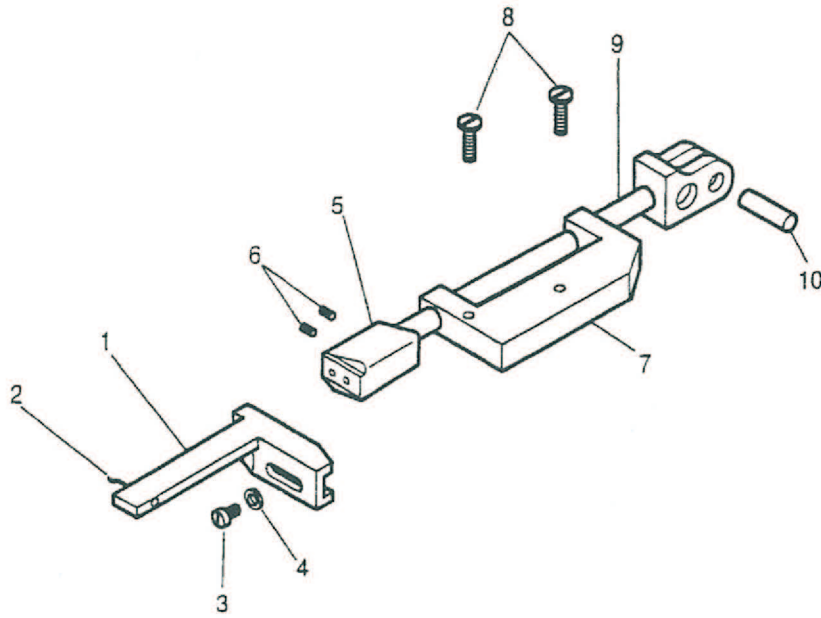
FRONT ASSEMBLY SEWING BED



FRONT ASSEMBLY SEWING BED

NO.	PART NO.	DESCRIPTION
1	559061	FEED DOG
2	267665	LOOP DEFLECTOR
3	229	LOOP DEFLECTOR SCREW (2)
4	559064	FEED DOG SHANK
5	414559	FEED DOG SHANK ADJUSTING SCREW
6	541200	FEED DOG SHANK ADJUSTING SCREW LOCK NUT
7	414520	FEED DOG SHANK SCREW
8	543804-004	FEED DOG SHANK WASHER
9	374107-003	FEED DOG SCREW (2)
10	559049	FEED DRIVING ROCK FRAME
11	549024	FEED DRIVING ROCK FRAME POSITION SCREW
12	500264-833	FEED DRIVING ROCK FRAME SET SCREW
13	559051	FEED BAR HINGE PIN
14	415297	FEED DRIVING ROCK SHAFT BUSHING (2)
14	415297	FEED LIFTING ROCK SHAFT BUSHING (2)
15	268070	FEED DRIVING ROCK SHAFT
16	559046	FEED BAR
17	544204-001	FEED BAR SET SCREW (2)
18	545213	FEED LIFTING LINK HINGE PIN SET SCREW
19	268078	FEED LIFTING LINK
20	268079	FEED LIFTING LINK HINGE PIN WITH 268258 (2)
21	268258	FEED LIFTING LINK HINGE PIN OIL PACKING (WICK) (2)
22	559052	FEED LIFTING ROCK SHAFT
23	415065	FEED LIFTING ROCK SHAFT COLLAR WITH TWO 504020 (2)
24	504020	FEED LIFTING ROCK SHAFT COLLAR SET SCREW (2)
25	415204	FEED LIFTING CRANK WITH 414501 AND 545213
26	414501	FEED LIFTING CRANK PINCH SCREW
27	545213	FEED LIFTING LINK HINGE PIN SET SCREW
28	281208	LOOPER AND NEEDLE GUARD COMPLETE, NOS. 281207 AND 268380
29	268380	LOOPER WITH 141478 AND 141494
30	281207	NEEDLE GUARD
31	141478	NEEDLE GUARD SET SCREW (BACK)
32	141494	NEEDLE GUARD SET SCREW (FRONT)
33	281223	LOOPER DRIVING CONNECTION WITH 415500
34	415500	LOOPER DRIVING CONNECTION BUSHING
35	414516	LOOPER CARRIER CRANK HINGE PIN PINCH SCREW
36	268208	LOOPER CARRIER CRANK HINGE PIN WITH 268258
37	268258	LOOPER CARRIER CRANK HINGE PIN OIL PACKING (WICK)
38	415174	LOOPER CARRIER CRANK WITH 414516
39	415292	LOOPER CARRIER CRANK CLAMPING STUD
40	541198	LOOPER CARRIER CRANK CLAMPING STUD NUT
41	548459	LOOPER CARRIER CRANK CLAMPING STUD WASHER
42	559041	LOOPER CARRIER WITH TWO 415500
43	415500	LOOPER CARRIER BUSHING (2)
44	559055	LOOPER HOLDER
45	414558	LOOPER SET SCREW (2)
46	414750-002	LOOPER HOLDER SCREW
47	543804-004	LOOPER HOLDER SCREW WASHER
48	269617	LOOPER CARRIER SHAFT
49	415172	LOOPER CARRIER SHAFT COLLAR WITH TWO 544204-001
50	544204-001	LOOPER CARRIER SHAFT COLLAR SET SCREW (2)
51	544209-003	LOOPER CARRIER SHAFT SET SCREW
52	559044	LOOPER CARRIER SHAFT SUPPORTING PLATE
53	414518	LOOPER CARRIER SHAFT SUPPORTING PLATE SCREW (2)

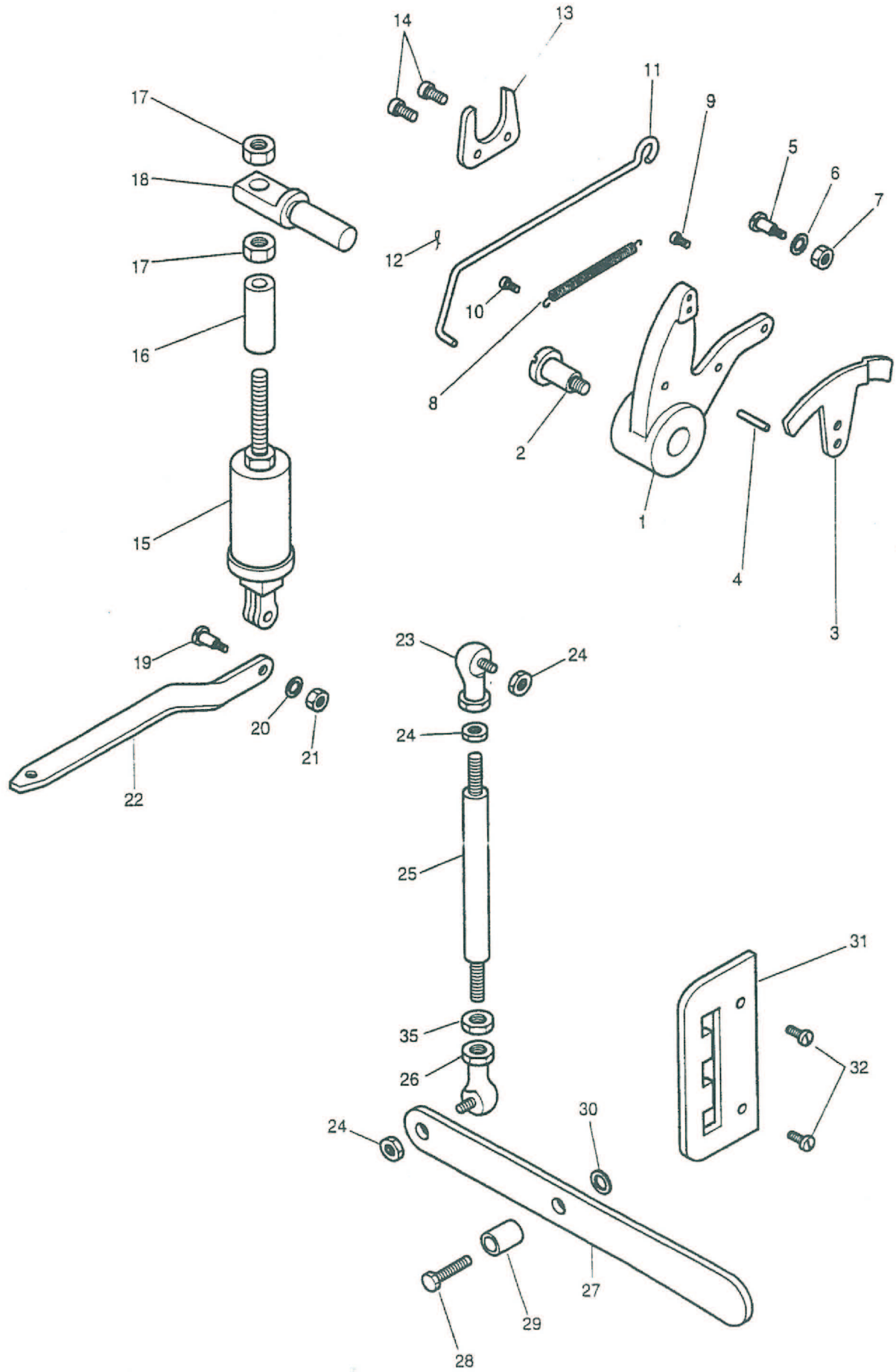
CROSS SHAFT IN SEWING BED



CROSS SHAFT IN SEWING BED

NO.	PART NO.	DESCRIPTION
1	281975	SPREADER WITH 268162
2	268162	SPREADER POINT
3	414552	SPREADER SCREW
4	547670	SPREADER SCREW WASHER
5	415196	SPREADER HOLDER WITH TWO 414529
6	414529	SPREADER HOLDER SET SCREW
7	268184	SPREADER BAR BRACKET
8	414524	SPREADER BAR BRACKET SCREW (2)
9	559065	SPREADER BAR
10	268190	SPREADER DRIVING PIN
11	415297	SPREADER DRIVING ROCK SHAFT BUSHING (2)
12	415389	SPREADER DRIVING ROCK SHAFT WITH 504019
13	415194	SPREADER DRIVING CRANK WITH TWO 544204-001
14	544204-001	SPREADER DRIVING CRANK SET SCREW (2)
15	281250	SPREADER DRIVING ROCK SHAFT SCREW STUD
16	32825	SPREADER DRIVING ROCK SHAFT SCREW STUD OIL PACKING (WICK)
17	545424	SPREADER DRIVING ROCK SHAFT SCREW STUD NUT
18	415065	SPREADER DRIVING ROCK SHAFT COLLAR WITH TWO 504020 (2)
19	504020	SPREADER DRIVING ROCK SHAFT COLLAR SET SCREW (4)
20	268052	LOOPER THREAD TAKE-UP ROD
21	504019	LOOPER THREAD TAKE-UP ROD SET SCREW
22	269619	LOOPER THREAD GUIDE (ON FRONT)
23	414510	LOOPER THREAD GUIDE SCREW

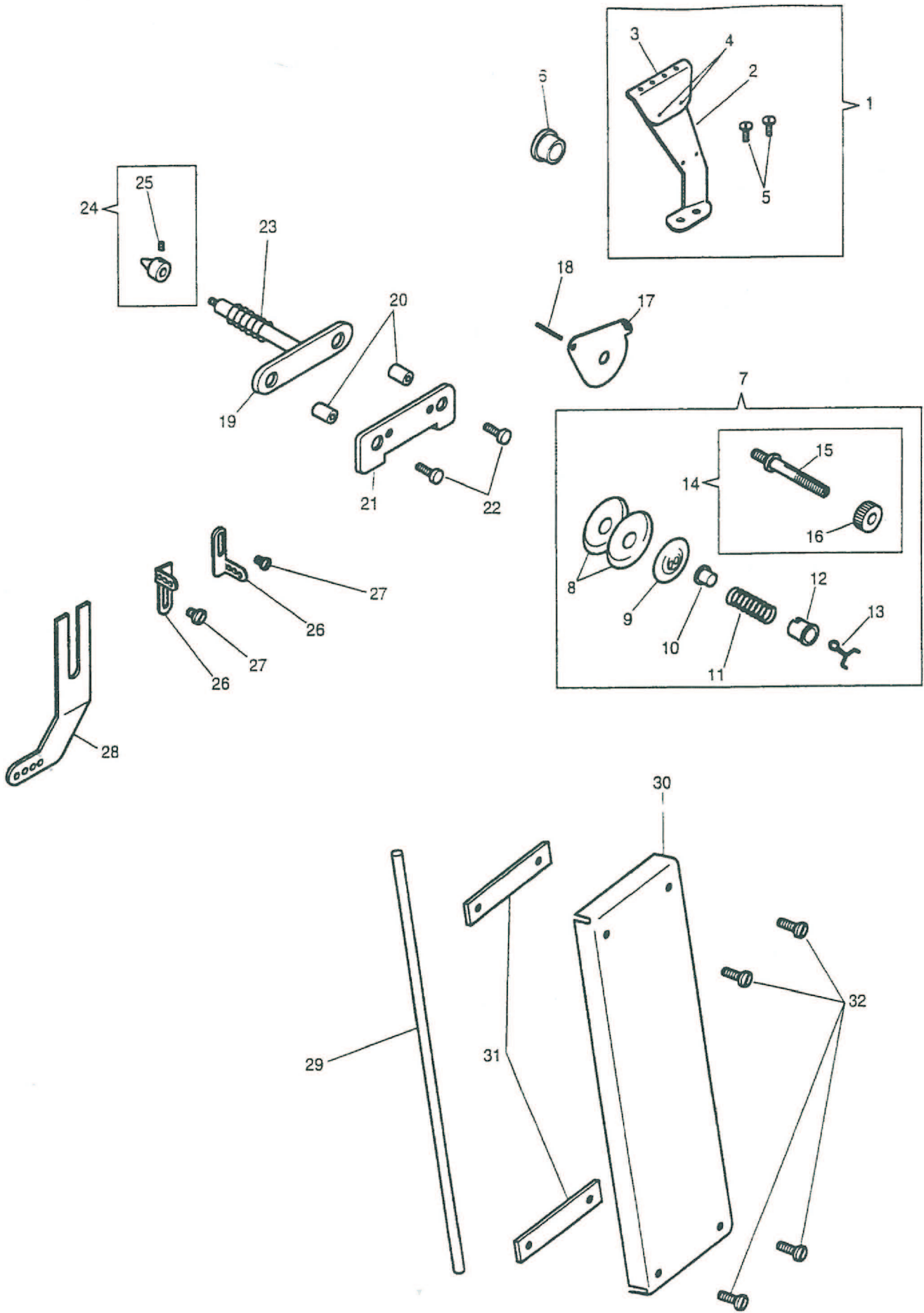
EXTERNAL PARTS SEWING ARM



EXTERNAL PARTS SEWING ARM

NO.	PART NO.	DESCRIPTION
1	281929	FOOT LIFTER LEVER WITH 543850-001
2	201363	FOOT LIFTER LEVER HINGE SCREW
3	267707	NEEDLE THREAD TENSION RELEASING PLATE (ADJUSTABLE)
4	543850-001	NEEDLE THREAD TENSION RELEASING PLATE PIN
5	414577	FOOT LIFTER LEVER ROD HINGE SCREW
6	543804-004	FOOT LIFTER LEVER ROD HINGE SCREW WASHER
7	541166-003	FOOT LIFTER LEVER ROD HINGE SCREW NUT
8	204348	FOOT LIFTER LEVER SPRING
9	414570	FOOT LIFTER LEVER SPRING SCREW EYE
10	544336	FOOT LIFTER LEVER SPRING SCREW
11	267704	FOOT LIFTER LEVER ROD WITH 248423
12	248423	FOOT LIFTER ROD COTTER PIN
13	267650	PRESSER BAR SPRING HOUSING SUPPORT RETAINER
14	545205-451	PRESSER BAR SPRING HOUSING SUPPORT RETAINER SCREW (2)
15	415106	PRESSER BAR SPRING HOUSING COMPLETE
16	559077	PRESSER BAR SPRING HOUSING COLLAR
17	541198	PRESSER BAR SPRING HOUSING NUT (2)
18	267714	PRESSER BAR SPRING HOUSING SUPPORT
19	414567	PRESSER BAR SPRING ARM HINGE SCREW
20	548154	PRESSER BAR SPRING ARM HINGE SCREW WASHER
21	545405	PRESSER BAR SPRING ARM HINGE SCREW NUT
22	267738	PRESSER BAR SPRING ARM
23	412373	LIFTING ROD CONNECTION (UPPER)
24	541166-001	LIFTING ROD CONNECTION NUT (3)
25	559068	LIFTING ROD
26	559067	LIFTING ROD CONNECTION (LOWER)
27	559069	LIFTING LEVER
28	544499-072	LIFTING LEVER HINGE SCREW
29	559070	LIFTING LEVER HINGE SCREW COLLAR
30	543874-005	LIFTING LEVER HINGE SCREW WASHER
31	559071	LIFTING LEVER LATCH PLATE
32	414508	LIFTING LEVER LATCH PLATE SCREW (2)
35	414774	LIFTING ROD NUT (LOWER)

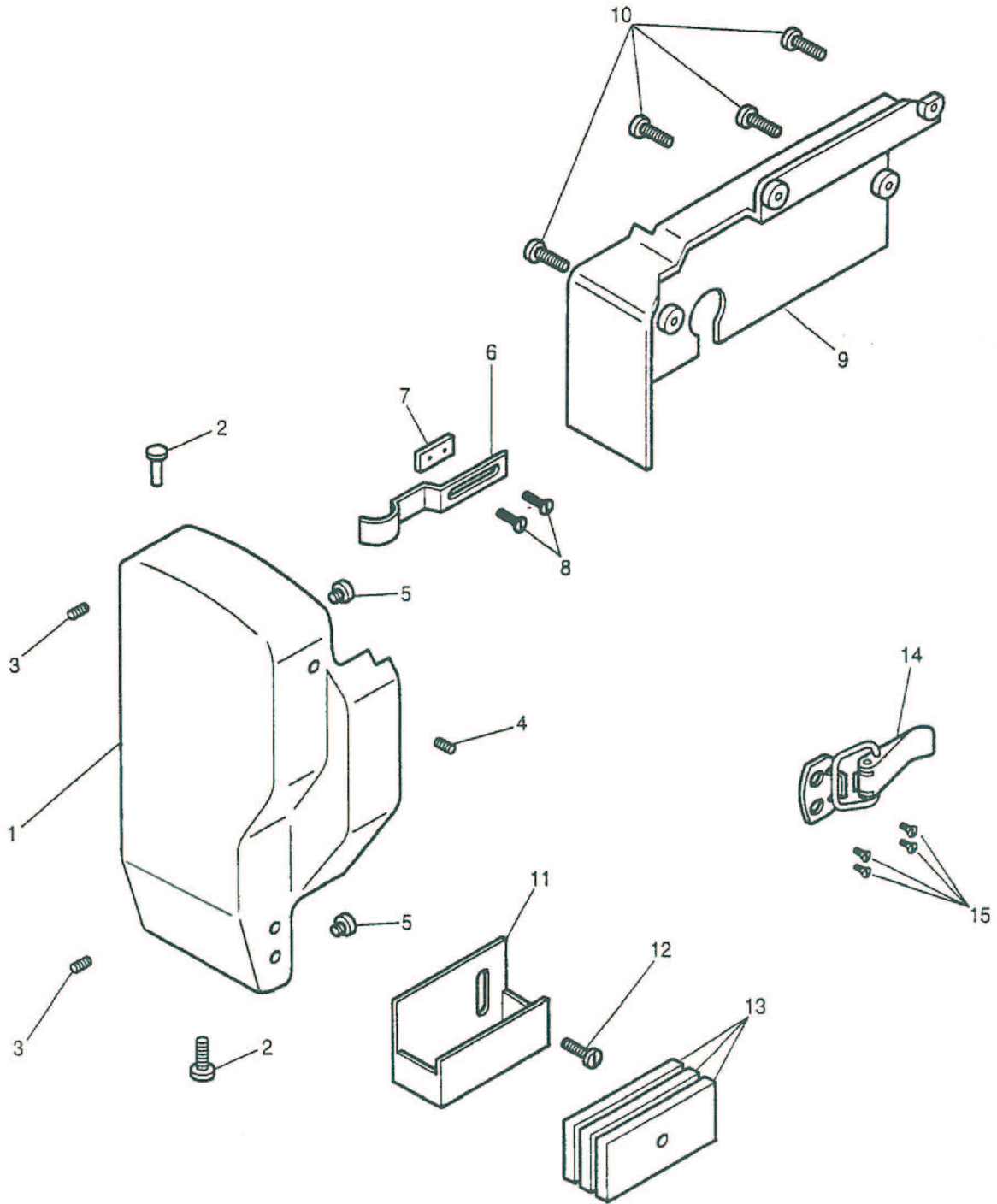
EXTERNAL PARTS SEWING ARM



EXTERNAL PARTS SEWING ARM

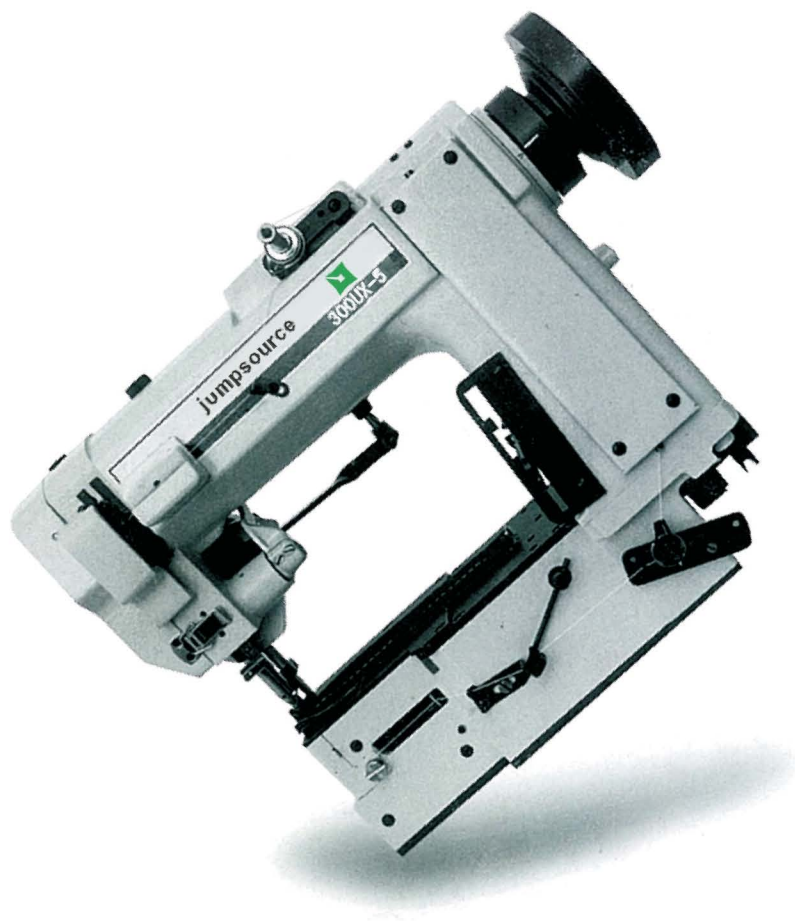
NO.	PART NO.	DESCRIPTION
1	268506	LOOPER THREAD GUIDE (TOP OF ARM) BRACKET 268111 WITH 268505 AND TWO 5016
2	268111	LOOPER THREAD GUIDE (TOP OF ARM) BRACKET
3	268505	LOOPER THREAD GUIDE (TOP OF ARM)
4	50169	LOOPER THREAD GUIDE (TOP OF ARM) BRACKET SCREW (2)
5	414537	LOOPER THREAD GUIDE (TOP OF ARM) BRACKET SCREW (2)
6	544875	ARM PLUG
7	267971	NEEDLE THREAD TENSION COMPLETE, NOS. 32572, 59538, 59539, 131741, 143657, 143658, AND TWO 2102
8	2102	NEEDLE THREAD TENSION DISC (2)
9	32572	NEEDLE THREAD TENSION RELEASING DISC
10	59538	NEEDLE THREAD TENSION SPRING BUSHING (BACK)
11	131741	NEEDLE THREAD TENSION SPRING
12	143657	NEEDLE THREAD TENSION SPRING BUSHING (FRONT)
13	143658	NEEDLE THREAD TENSION THUMB NUT LOCKING SPRING
14	59539	NEEDLE THREAD TENSION STUD 50326 WITH 51570
15	50326	NEEDLE THREAD TENSION STUD
16	51570	NEEDLE THREAD TENSION THUMB NUT
17	54279	NEEDLE THREAD TENSION THREAD GUIDE (DOUBLE)
18	226206	NEEDLE THREAD TENSION RELEASING PIN
19	415357	NEEDLE THREAD TENSION RELEASER
20	543853-003	NEEDLE THREAD TENSION BRACKET SPACING COLLAR (2)
21	268167	NEEDLE THREAD TENSION BRACKET
22	544336	NEEDLE THREAD TENSION BRACKET SCREW (2)
23	204365	NEEDLE THREAD TENSION RELEASER SPRING
24	415252	NEEDLE THREAD TENSION RELEASER CAP WITH 504048
25	504048	NEEDLE THREAD TENSION RELEASER CAP SET SCREW
26	268513	NEEDLE THREAD GUIDE (ON SIDE OF ARM) (2)
27	414514	NEEDLE THREAD GUIDE SCREW (3)
28	268312	NEEDLE THREAD GUIDE (ON ARM HEAD)
29	268123	LOOPER THREAD TUBE
30	415342-451	LOOPER THREAD TUBE COVER
31	268500	LOOPER THREAD COVER CUSHION
32	414639	LOOPER THREAD TUBE COVER SCREW (4)

EXTERNAL PARTS SEWING ARM

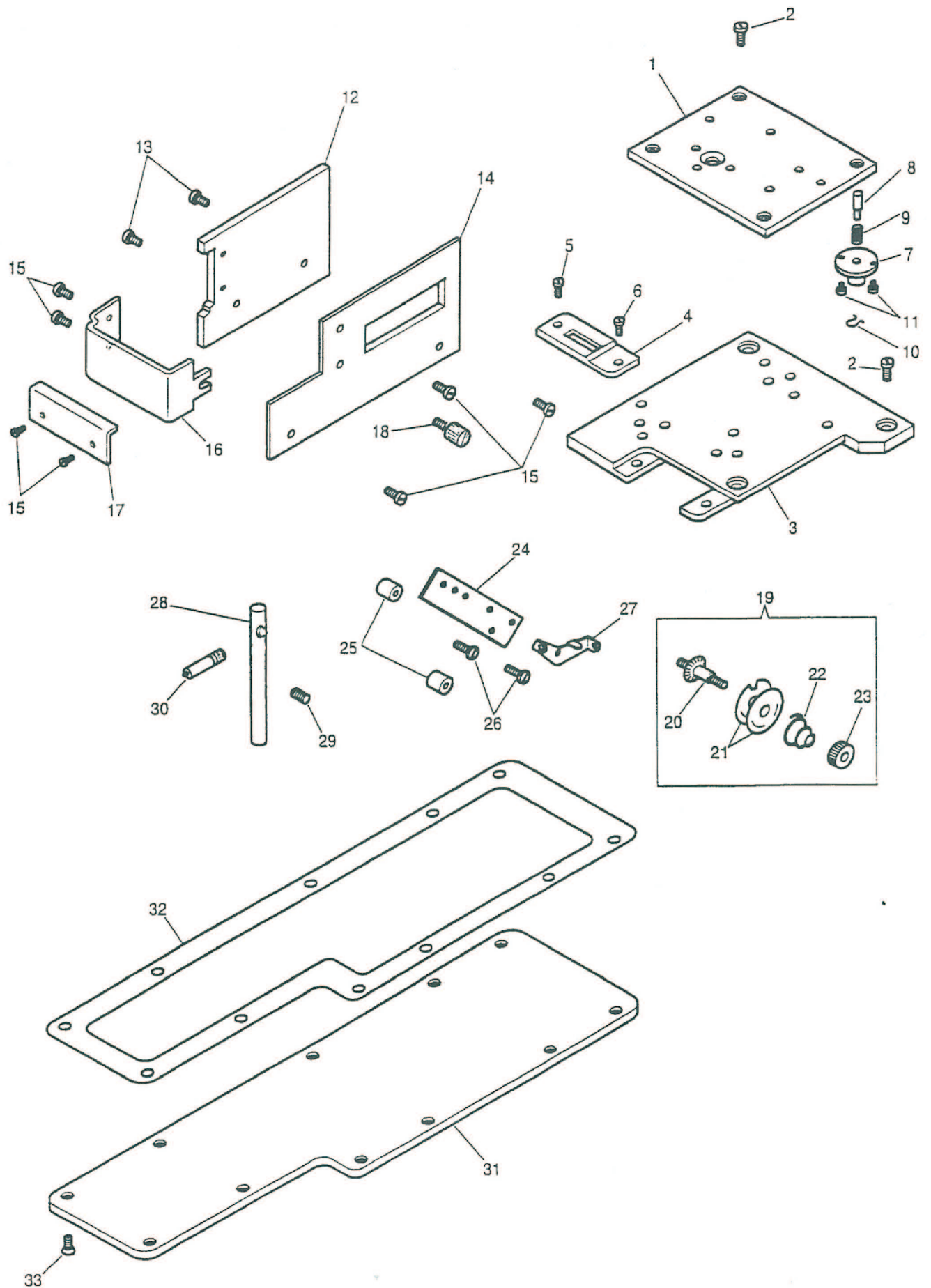


EXTERNAL PARTS SEWING ARM

NO.	PART NO.	DESCRIPTION
1	559029	FACE PLATE WITH 268033 AND TWO 228661 AND 545174-452
2	268330	FACE PLATE HINGE STUD (2)
3	545174-452	FACE PLATE HINGE STUD SET SCREW (2)
4	268033	FACE PLATE LOCK STUD
5	228661	FACE PLATE CUSHION (NEOPRENE)
6	268032	FACE PLATE LOCK SPRING
7	415016	FACE PLATE LOCK SPRING PLATE
8	414534	FACE PLATE LOCK SPRING SCREW (2)
9	267701-451	ARM SIDE COVER
10	545246-452	ARM SIDE COVER SCREW (4)
11	267656-452	THREAD LUBRICATOR
12	504019	THREAD LUBRICATOR SCREW
13	236957	THREAD LUBRICATOR OIL PAD (FELT) (3)
14	559032	FACE PLATE LOCKER
15	374397-002	FACE PLATE LOCKER SCREW (4)
16	415009	UPPER ARM NEEDLE BAR CRANK HOUSING



EXTERNAL PARTS SEWING ARM

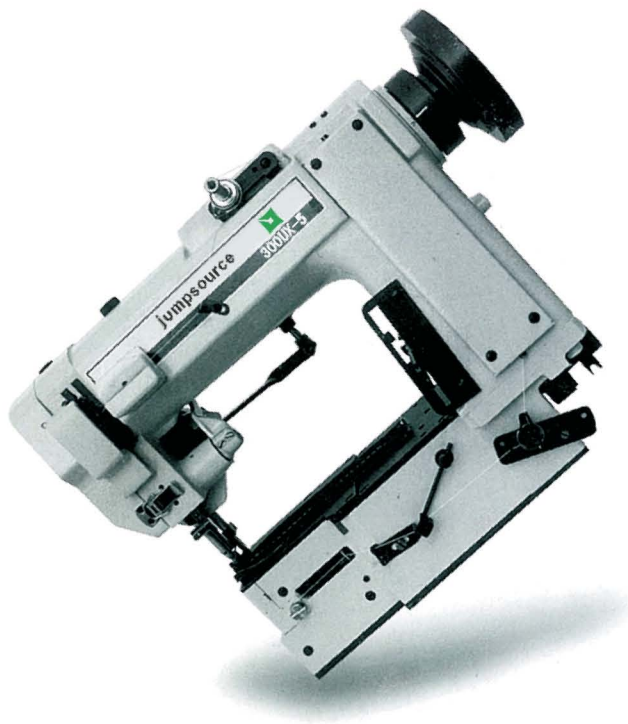


EXTERNAL PARTS SEWING ARM

NO.	PART NO.	DESCRIPTION
1	559037	BED PLATE (RIGHT)
2	414508	BED PLATE SCREW (8)
3	559035	BED PLATE (LEFT)
4	559060	THROAT PLATE
5	374107-001	THROAT PLATE SCREW (BACK)
6	414518	THROAT PLATE SCREW (FRONT)
7	268082	FEED REGULATING STUD SOCKET
8	268081	FEED REGULATING STUD
9	270026	FEED REGULATING STUD SPRING
10	240245	FEED REGULATING STUD RETAINING SPRING
11	545249-452	FEED REGULATING STUD SOCKET SCREW
12	559075	BED COVER (BACK)
13	414520	BED COVER (BACK) SCREW (2)
14	559076	BED COVER (FRONT)
15	544217-052	BED COVER SCREW (7)
16	559072	LOOPER COVER
17	559074	BED COVER (LEFT)
18	559073	LOOPER COVER THUMB SCREW
19	415294	LOOPER THREAD TENSION COMPLETE, NOS. 10148, 415291, 541452 AND TWO 412203
20	415291	LOOPER THREAD TENSION STUD
21	412203	LOOPER THREAD TENSION DISC (2)
22	10148	LOOPER THREAD TENSION SPRING
23	541452	LOOPER THREAD TENSION THUMB NUT
24	415255	LOOPER THREAD TENSION BRACKET
25	543853-003	LOOPER THREAD TENSION BRACKET SPACING COLLAR (2)
26	414532	LOOPER THREAD TENSION BRACKET SCREW (2)
27	268333	LOOPER THREAD TENSION THREAD GUIDE
28	52239	LOOPER THREAD GUIDE
29	544211-052	LOOPER THREAD GUIDE SET SCREW
30	559078	LOOPER THREAD GUIDE (PIPE)
31	559033	BOTTOM PLATE
32	559034	BOTTOM PLATE GASKET
33	544381	BOTTOM PLATE SCREW (6)



Model **300UX-5** Single Needle, Two Thread, Chainstitch Machine



Your Global Manufacturing Partner

For high quality custom parts and machines, you need a manufacturing partner that you can trust. That partner is JumpsourcE.

Discover a cost-effective, high-quality manufacturing alternative. No costly infrastructure, no language barriers, no surprises. Your end-to-end solution for manufacturing and sourcing.

SPECIFICATIONS

Feed Type:	Compound Feed & Alternating Presser Feet	
Number of Needles:	1	
Maximum Speed:	3000 S.P.M.	
Maximum Stitch Length:	7.6 mm	
Clearance Under Presser Foot:	11.0 mm (7/16)	
Needle Bar Stroke:	36.5 mm	
Distances:	From needle to left side of machine bed is 6.9 mm	
	Space to right of needle is 254 mm	
Parts:	Needle	Catalog Number 4112-01
	Regular Fittings	
	Feed Dog	559061
	Throat Plate	559060
	Lifting Presser Foot	559059
	Vibrating Presser Foot	559097

sales@jumpsourcE.com • www.jumpsourcE.com

World Headquarters:
100 Cummings Center, Suite 359C
Beverly, MA 01915
Phone: 978-969-1872 | Fax: 978-998-4823

Shanghai Office:
No.1122 Xin Jinqiao Road Pudong
Shanghai P.R.China 210206
Phone: +86-21-61016165



jumpsourcE