

SEWING AUTOMATION

PFAFF[®] 5625



jumpsource



jumpsource



2001 Jumpsource. All rights reserved.®

Jumpsource is a registered trademark of Sourcing Unlimited, Inc.

The Jumpsource stylized logo is a trademark of Sourcing Unlimited, Inc.

Some illustrations used in this catalog are provided courtesy of PFAFF® Sewing Machine Manufacturing Company, Limited.

100 Cummings Center, Suite 359C, Beverly, MA 01915

Phone: 978-969-1872

Fax: 978-998-4823

This catalog may not, in whole or in part, be copied, photocopied, reproduced, translated or converted to any electronic or machine-readable form without prior written consent of Jumpsource, Inc.

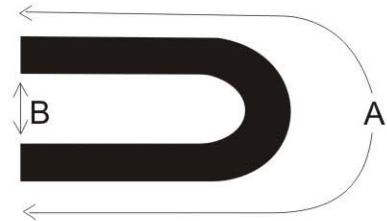
Details herein are subject to change without notice.

JS BINDER HEADS

THERE ARE TWO CRITICAL DIMENSIONS ON ANY BINDER HEAD:

The first is the length around the "Arch"(A), which must equal the exact width of your tape.

The other is the width of the opening(B), which is the maximum thickness of the material to be bound.



T830003-824 Binder, Singer STYLE *SPECIFY SIZE*

Singer Style:

Tape Size (A)		Opening (B)	
5/8"	15.88mm	3/16"	4.83mm
3/4"	19.05mm	3/16"	4.83mm
7/8"	22.23mm	1/4"	6.35mm
1"	25.40mm	1/4"	6.35mm
1-1/8"	28.58mm	3/8"	9.53mm
1-1/4"	31.75mm	3/8"	9.53mm
1-3/8"	34.93mm	3/8"	9.53mm
1-7/16"	36.51mm	3/8"	9.53mm
1-1/2"	38.10mm	3/8"	9.53mm

T830003-825 Binder, Singer STYLE *SPECIFY SIZE*

5/8"	15.88mm	3/16"	4.83mm
3/4"	19.05mm	3/16"	4.83mm
7/8"	22.23mm	1/4"	6.35mm
1"	25.40mm	1/4"	6.35mm
1-1/8"	28.58mm	3/8"	9.53mm
1-1/4"	31.75mm	3/8"	9.53mm
1-3/8"	34.93mm	3/8"	9.53mm
1-7/16"	36.51mm	3/8"	9.53mm
1-1/2"	38.10mm	3/8"	9.53mm

T830003-826 Binder, Tape Edge STYLE *SPECIFY SIZE*

Tape Edge Style:

Tape Size (A)		Opening (B)	
3/4"	19.05mm	3/16"	4.83mm
7/8"	22.23mm	1/4"	6.35mm
1"	25.40mm	1/4"	6.35mm
1-1/8"	28.58mm	3/8"	9.53mm
1-1/4"	31.75mm	3/8"	9.53mm
1-3/8"	34.93mm	3/8"	9.53mm
1-7/16"	36.51mm	3/8"	9.53mm
1-1/2"	38.10mm	3/8"	9.53mm
1-9/16"	39.69mm	3/8"	9.53mm

T830003-827 Binder, Taped Edge-HEAVY DUTY 1-1/4"

Tape x 1/2" Mouth

1-1/4"	31.75mm	1/2"	12.70mm
Heavy (Higher Capacity)			
1-7/16"	36.51mm	7/16"	11.11mm



Binder Styles For-Spuhl,porter,Cash,ACC
Small slotted binder



Medium slotted binder



Long slotted/off-set
binder



Binder brackets

Binder Mounting Brackets:

A:T830003-838-23437B/C Union Special Machines

B:T830003-839-509-21-1 Tape Edge Machines

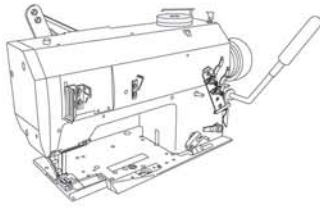
C:T830003-840-509-21B-1 Tape Edge w/pins

T830003-841-S286 Porter, Spuhl

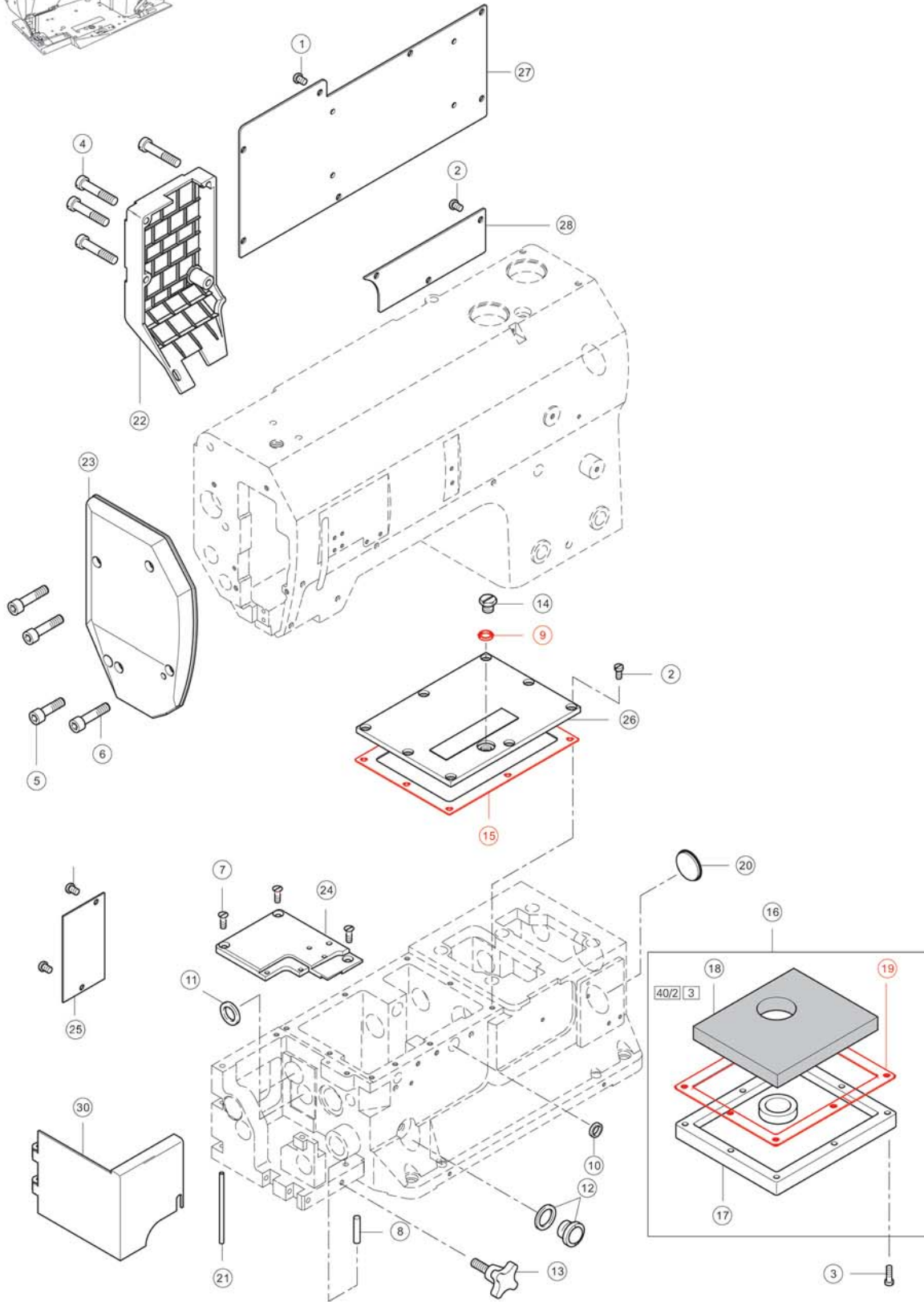


Porter TE-32 PFAFF 5625 Tape Edge				
Number	PFAFF Number	RE	Description	QTY Ordered
1	11-108 222-25	6ZP050	Screw	
2	11-108 222-25	6ZC479	Screw	
3	11-188 234-15	6ZP055	Screw	
4	11-108 246-25	6Z9577	Screw	
5	11-130 233-15	6ZC432	Screw	
6	11-130 239-15	6ZB901	Screw	
7	11-210 216-15	6Z8977	Screw	
8	13-033 328-05	6ZP056	Pin, cylinder	
9	15-125 135-05	6ZP101	Gasket	
10	15-280 034-01	6ZP102	seal/ring	
11	15-280 062-01	6ZP103	seal/ring	
12	15-822 336-01	6ZA253	window, oil sight	
13	17-028 319-91	6ZA142	Knob	
14	91-069 845-15	6ZC478	screw	
15	91-172 749-05	6Z7610	Bed plate gasket	
16	91-172 750-71/951	6Z0104	oil pan	
17	91-172 751-75/951	6ZP105	oil pan	
18	91-172 753-05	6ZP201	oil pan	
19	91-172 754-05	6ZP202	Oil pan gasket	
20	91-172 776-05	6ZD603	Plug, Casting	
21	91-178 847-05	6ZA448	Pin, cylinder	
22	91-266 106-75/699	6Z8180	cover	
23	91-266 107-75/698	6Z9213	head cover	
24	91-271 089-75/895	6Z9683	plate	
25	91-271 093-75/895	6Z9793	plate	
26	91-271 099-71/895	6ZA339	Bed plate	
27	91-271 100-75/895	6ZC947	Cover plate	
28	91-271 104-75/895	6ZE546	Cover plate	
29			N/A	
30	91-271 170-91/895	6Z8020	Hinged cover	

ALL ORIGINAL EQUIPMENT MANUFACTURERS NAMES AND PART NUMBERS ARE USED FOR IDENTIFICATION PURPOSES ONLY,
AND WE IN NO WAY IMPLYING THAT OUR PRODUCTS ARE ORIGINAL EQUIPMENT PARTS



Gehäuseteile
 Housingsections
 Partiesducorps
 Piezasdelcárter PFAFF5625



Jumpsource

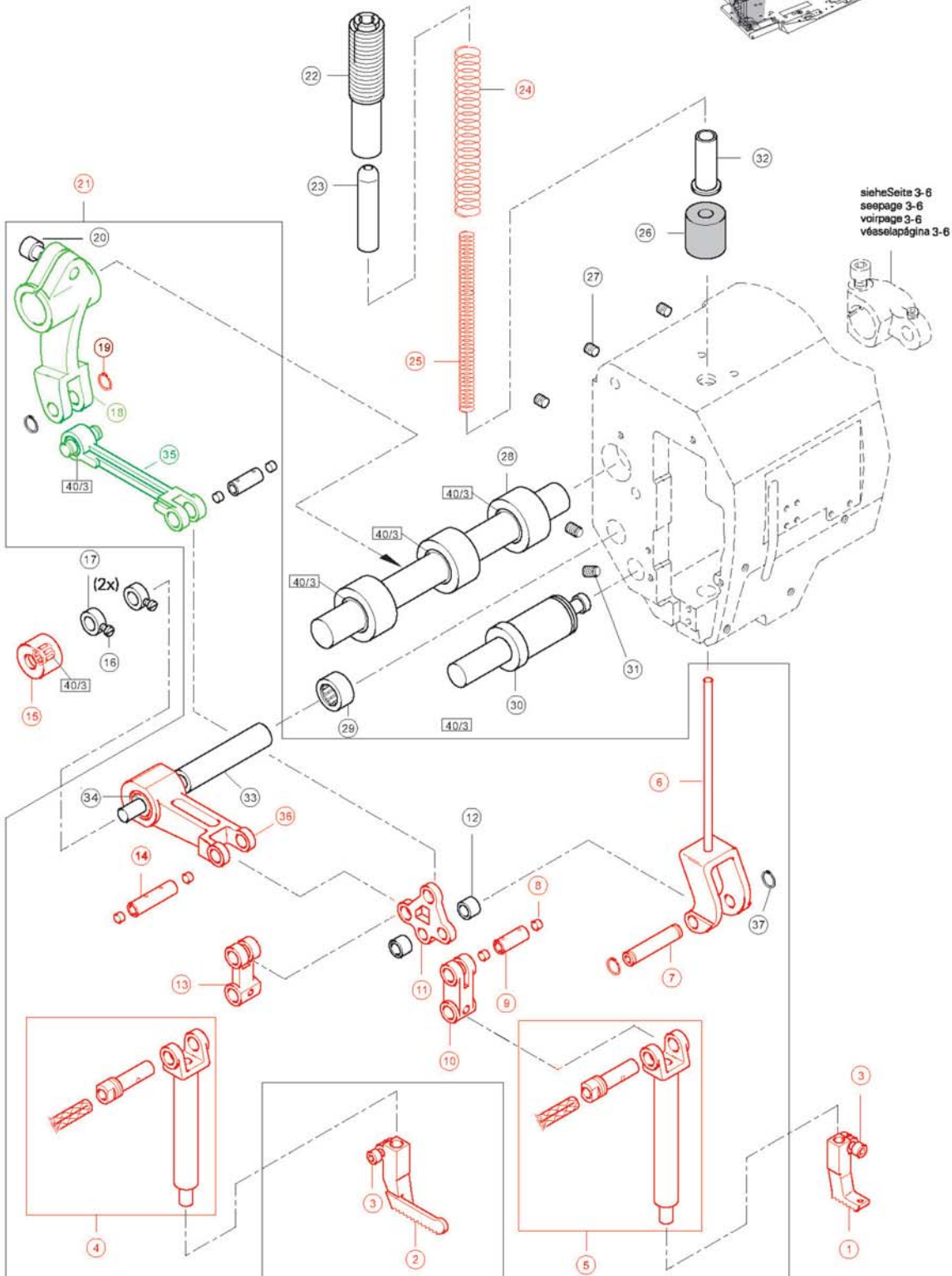
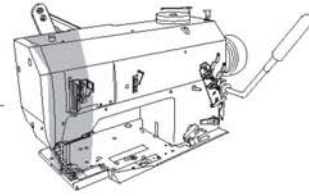
☐ siehe Kapitel 2 Erläuterung der Schlüsselzeichen
 see chapter 2 Explanation of key markings
 voir le chap. 2 Explication des symboles
 véase el Cap. 2 Explicación de los signos clave



Porter TE-32 PFAFF 5625 Tape Edge				
Number	PFAFF Number	RE	Description	QTY Ordered
1	91-149 219-91	6Z7602	PRESSER FOOT LIFTING	
2	91-149 220-91	6Z7603	PRESSER FOOT OUTER	
3	11-130 173-15	6Z7609	SCREW	
4	91-266 277-01	6Z7643	PRESSURE BAR W/STUD	
5	91-166 997-01	6Z7634	PRESSER BAR ROD	
6	91-166 485-01	6Z8145	FORKED CONNECTION	
7	91-176 192-05	6Z8946	PIN LINK	
8	91-069 062-05	6Z9724	PLUG	
9	91-266 325-05	6Z9211	PIVOT PIN	
10	91-266 173-05	6Z9212	FEED LINK	
11	91-266 172-05	6Z9723	LINK	
12	91-166 487-05	6Z9196	SPACER	
13	91-176 178-05	6Z9721	PRESSER BAR LINK	
14	91-266 326-05	6Z9722	PIVOT PIN	
15	91-166 529-05	6ZC125	BEARING	
16	11-108 846-15	6Z9103	SCREW	
17	91-171 875-12	6Z9102	COLLAR	
18	91-166 480-92	6ZB419	CRANK	
19	12-610 170-45	6Z8514	SNAP RING	
20	11-130 293-15	6Z9166	SCREW	
21	91-266 258-91	6Z9273	DRIVE ASSY COMPLETE	
22	91-166 550-15	6Z9871	SCREW, ADJUSTING	
23	91-177 610-05	6Z9862	PLUNGER BASE	
24	91-177 609-05	6Z8735	SPRING, FOOT REG.	
25	91-171 808-05	6Z8734	SPRING	
26	91-140 372-05	6ZA686	OIL PAD	
27	11-341 904-15	6ZP205	SCREW, SET	
28	91-166 393-01	6ZC305	COLLAR, SHAFT	
29	14-218 090-01	6ZC288	BEARING	
30	91-166 524-91	6ZE613	COLLAR, SPACER	
31	11-341 217-15	6ZD610	SCREW	
32	91-176 267-05	6Z9861	PLUNGER BASE	
33	91-166 775-05	6Z9092	SHAFT	
34	N/A	6zB914	BEARING	
35	N/A	6ZC297	LINK	
36	N/A	6Z9091	LINK	
37	N/A	6ZC249	SNAP RING, FORK PIN	

ALL ORIGINAL EQUIPMENT MANUFACTURERS NAMES AND PART NUMBERS ARE USED FOR IDENTIFICATION PURPOSES ONLY,
AND WE IN NO WAY IMPLYING THAT OUR PRODUCTS ARE ORIGINAL EQUIPMENT PARTS

Kopfteil
 Needleheadparts
 Piècesdetête
 Piezasdelacabeza PF AFF5625



sieheSeite 3-6
 see page 3-6
 voirpage 3-6
 véase lapágina 3-6

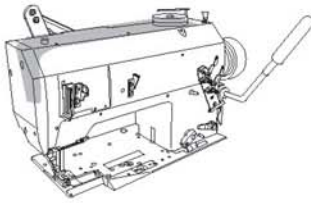
☐ sieheKapitel2ErläuterungderSchlüsselzeichen
 seechapter2Explanationofkeymarkings
 voirchap.2Explicationdessymboles
 véaseelCap.2Explicacionesdelossignosclave

Jumpsource

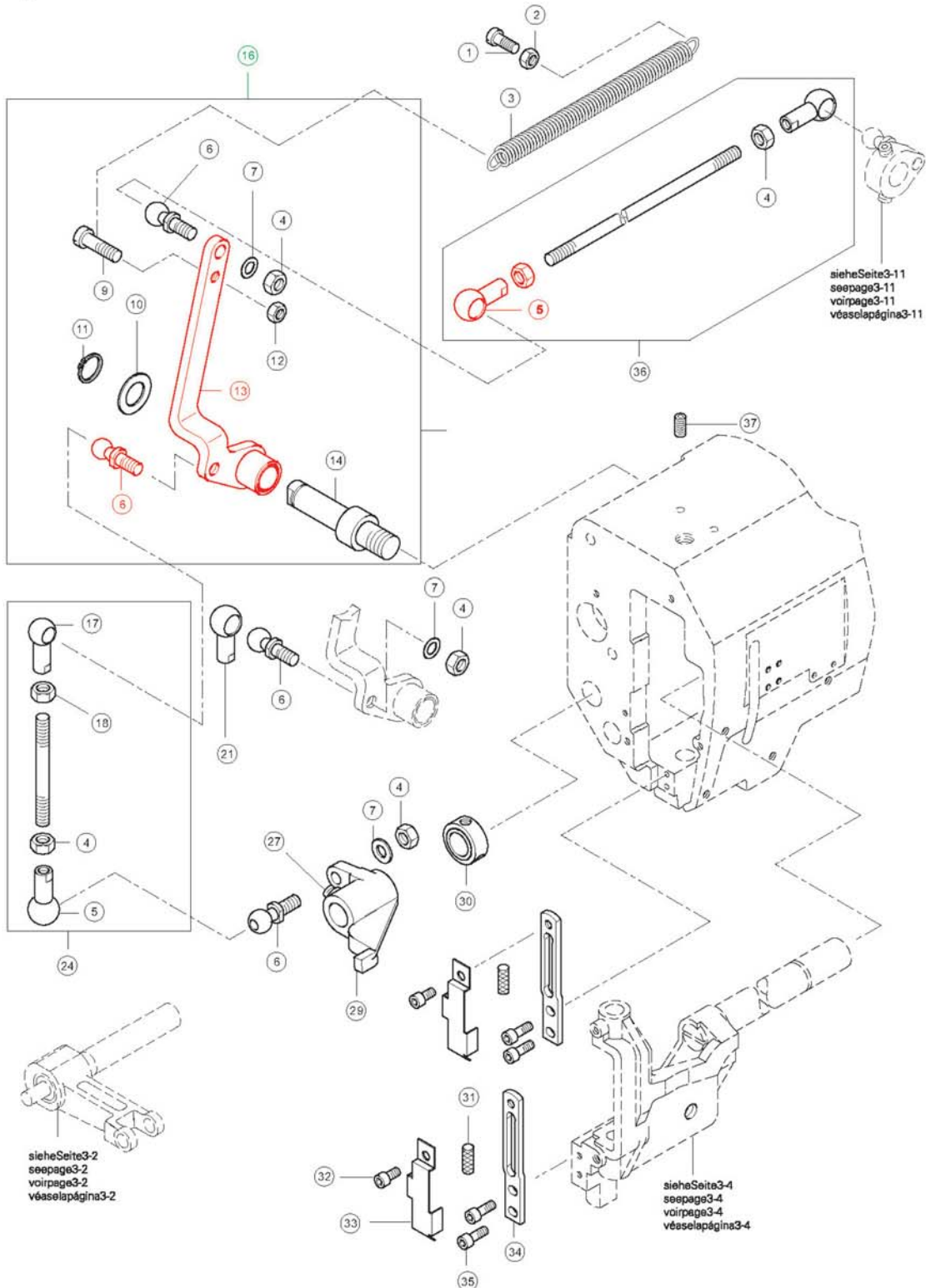


Porter TE-32 PFAFF 5625 Tape Edge				
Number	PFAFF Number	RE	Description	QTY Ordered
1	11-108 228-25	6ZP206	screw	
2	12-024 171-25	6ZB132	nut	
3	91-008 204-05	6Z9868	retaining spring	
4	12-024 191-15	6ZA748	nut	
5	16-049 040-11	6Z8695	ball socket, 10mm	
6	16-047 020-15	6Z8956	ball stud	
7	12-305 174-15	6ZB133	washer	
9	11-108 240-15	6ZB131	screw	
10	91-012 753-05	6Z8698	washer	
11	12-610 250-45	6ZP211	snap ring	
12	12-024 171-25	6ZB132	Nut	
13	91-271 115-91	6Z8693	foot lift lever	
14	91-271 118-15	6ZA469	shaft	
15	T830001-760	6Z8696	washer	
16	91-271 114-91	6ZB092	foot lift lever, complete	
17	16-049 021-11	6Z8694	ball socket 8mm	
18	12-024 172-15	6ZP210	nut	
24	91-271 129-91	6Z8990	connection rod, complete	
27	11-330 964-15	6ZP208	screw	
29	91-271 132-92	6ZD384	crank	
30	91-171 175-07	6ZP212	collar	
31	91-266 334-05	6Z8948	wick	
32	11-130 089-15	6Z8994	screw	
33	91-166 518-15	6Z8802	holder, felt	
34	91-266 400-05	6Z9210	guide	
35	11-130 173-15	6Z7609	screw	
36	91-271 127-11	6Z8991	connecting rod, complete	
37	11-330 283-15	6ZP207	grub screw	

ALL ORIGINAL EQUIPMENT MANUFACTURERS NAMES AND PART NUMBERS ARE USED FOR IDENTIFICATION PURPOSES ONLY,
 AND WE IN NO WAY IMPLYING THAT OUR PRODUCTS ARE ORIGINAL EQUIPMENT PARTS



Kopfteile
Needleheadparts
Piècesdetête
Piezásdelacabeza PF AFF5625

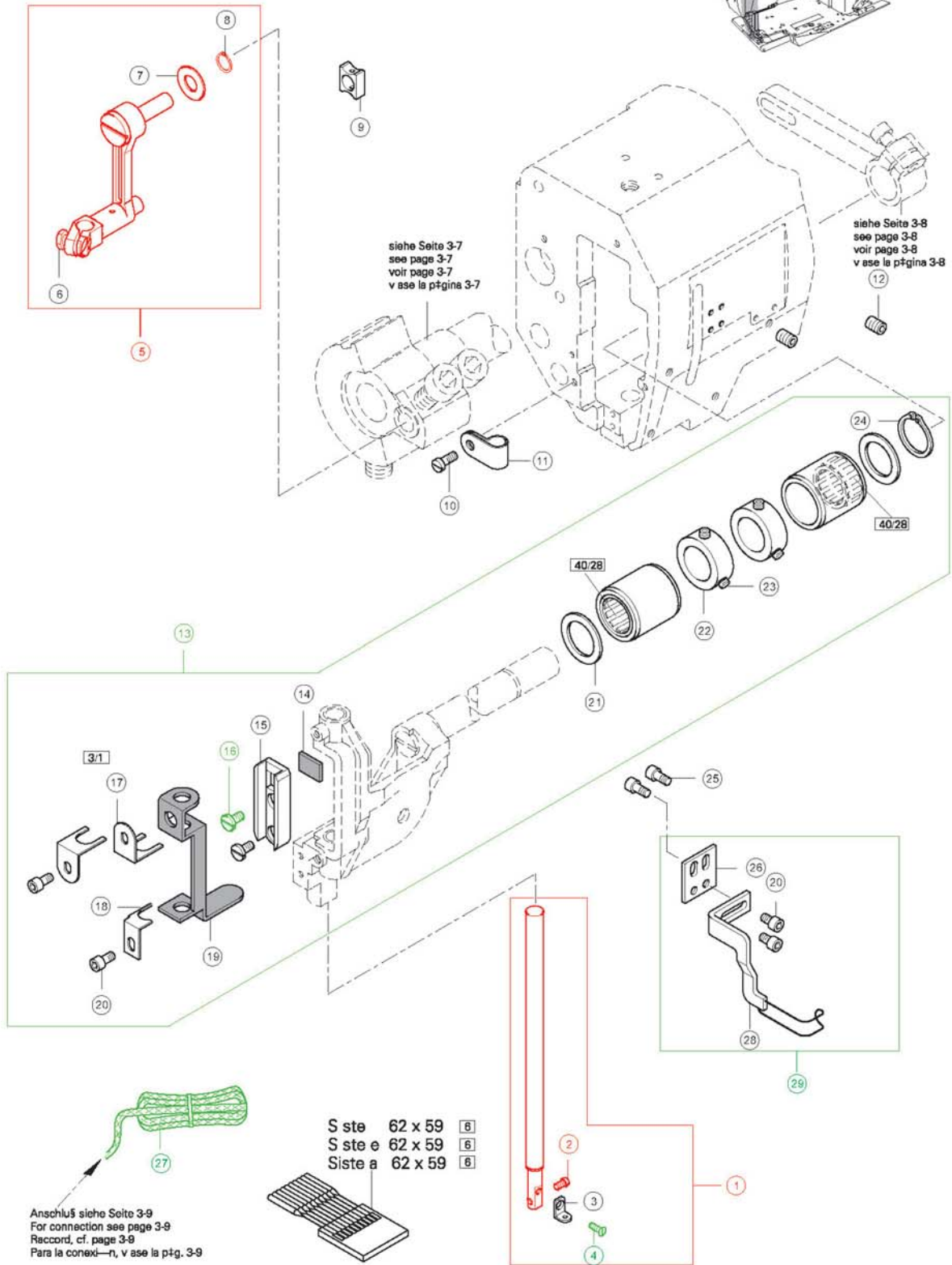
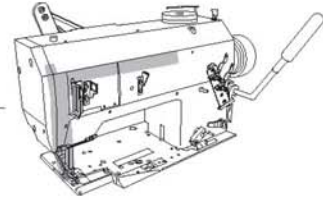




Porter TE-32 PFAFF 5625 Tape Edge				
Number	PFAFF Number	RE	Description	QTY Ordered
1	91-266 545-91	6Z7604	needle bar assy	
2	11-174 082-15	6Z7625	screw	
3	91-266 651-05	6Z7644	needle bar thread guide	
4	11-210 044-15	6Z7626	screw	
5	91-271 090-91	6Z8945	needle drive unit	
6	11-039 225-15	6ZA251	screw	
7	91-119 763-05	6Z8237	washer	
8	12-610 210-45	6ZB236	snap ring	
9	91-118 518-05	6Z9133	slide block	
10	11-108 174-15	6Z8972	screw	
11	71-370 001-32	6ZP213	oil wick guide	
12	11-330 280-15	6ZC295	grub screw	
13	91-271 194-91	6Z9042	rockframe, complete	
14	91-173 029-05	6Z9229	lubricating pad	
15	91-176 309-05	6Z9226	guide block	
16	91-100 355-05	6Z9227	screw	
17	91-119 015-15	6Z7633	holder	
18	91-174 303-15	6Z7638	felt retainer / holder	
19	91-119 014-05	6Z9228	lubricating pad	
20	11-130 167-15	6Z9266	screw	
21	91-176 204-05	6ZP216	spacing washer	
22	91-176 199-92	6ZC334	collar	
23	11-330 962-15	6ZC481	screw	
24	12-610 310-45	6ZC335	snap ring	
25	11-130 173-15	6Z7609	screw	
26	91-057 698-15	6Z9645	bracket, finger fuard	
27	91-266 335-01	6Z9240	wick, jump foot guide	
28	91-155 427-91	6Z9870	finger guard	
29	91-154 826-91	6ZP215	finger guard, complete	

ALL ORIGINAL EQUIPMENT MANUFACTURERS NAMES AND PART NUMBERS ARE USED FOR IDENTIFICATION PURPOSES ONLY,
 AND WE IN NO WAY IMPLYING THAT OUR PRODUCTS ARE ORIGINAL EQUIPMENT PARTS

Kopfteile
Needleheadparts
Piècesdetête
Piezásdelacabeza PF AFF5625



— siehe Kapitel 2 Erläuterung der Schlüsselzeichen
 see chapter 2 Explanation of key markings
 voir le chap. 2 Explication des symboles
 véase el Cap. 2 Explicación de los signos clave

Jumpsources

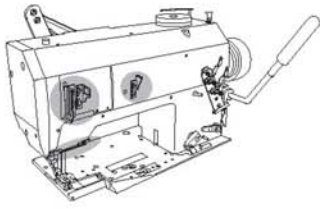
Sales@jumpsource.com



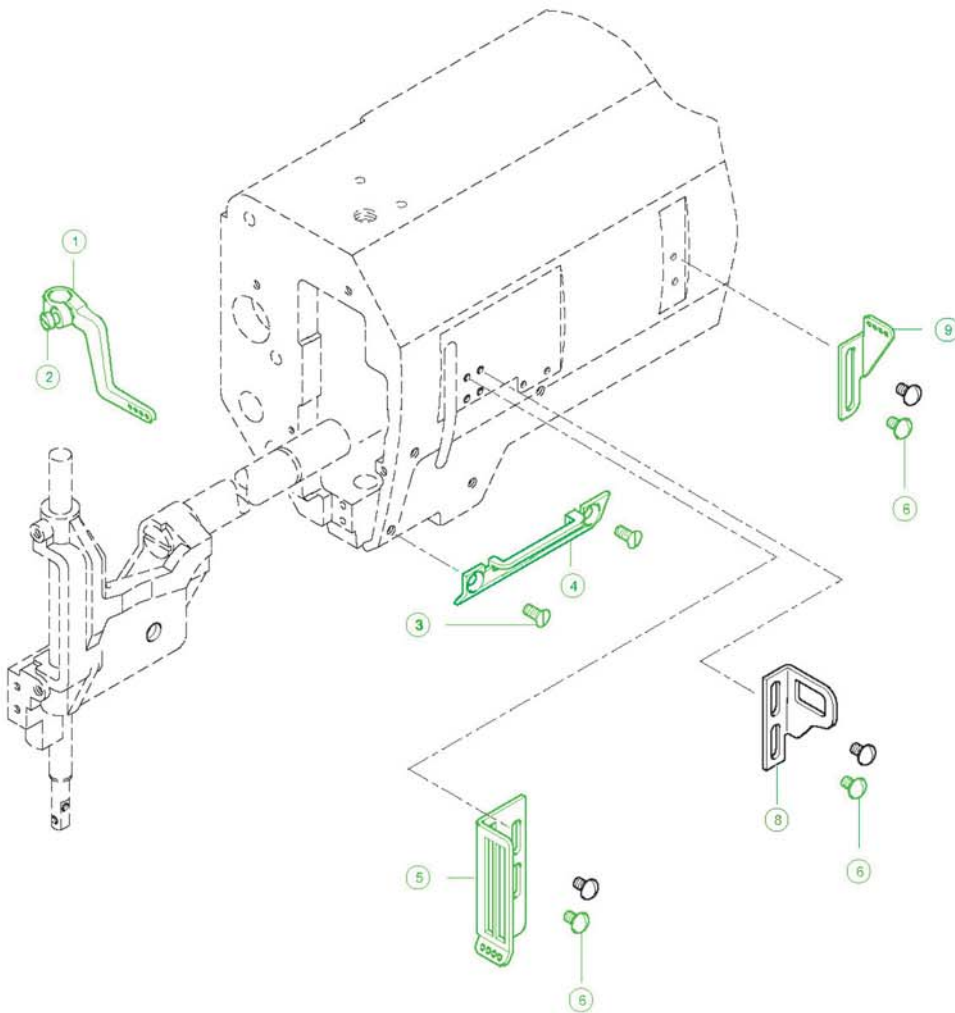
877-850-6957(Toll Free)
978-998-4404(Local)
978-998-4823(Fax)

Porter TE-32 PFAFF 5625 Tape Edge				
Number	PFAFF Number	RE	Description	QTY Ordered
1	91-177 626-92	6Z7639	thread take-up lever	
2	11-108 177-15	6Z7624	screw	
3	11-210 168-15	6ZP310	screw	
4	91-166 559-25	6ZB447	thread guide	
5	91-178 853-25	6Z7641	thread guide	
6	91-700 335-25	6ZC250	screw	
8	91-172 949-25	6Z7637	thread stop	
9	91-177 915-25	6Z7640	thread guide	

ALL ORIGINAL EQUIPMENT MANUFACTURERS NAMES AND PART NUMBERS ARE USED FOR IDENTIFICATION PURPOSES ONLY,
AND WE IN NO WAY IMPLYING THAT OUR PRODUCTS ARE ORIGINAL EQUIPMENT PARTS



Kopfteile
Needleheadparts
Piècesdetête
Piezadelacabeza PF AFF5625

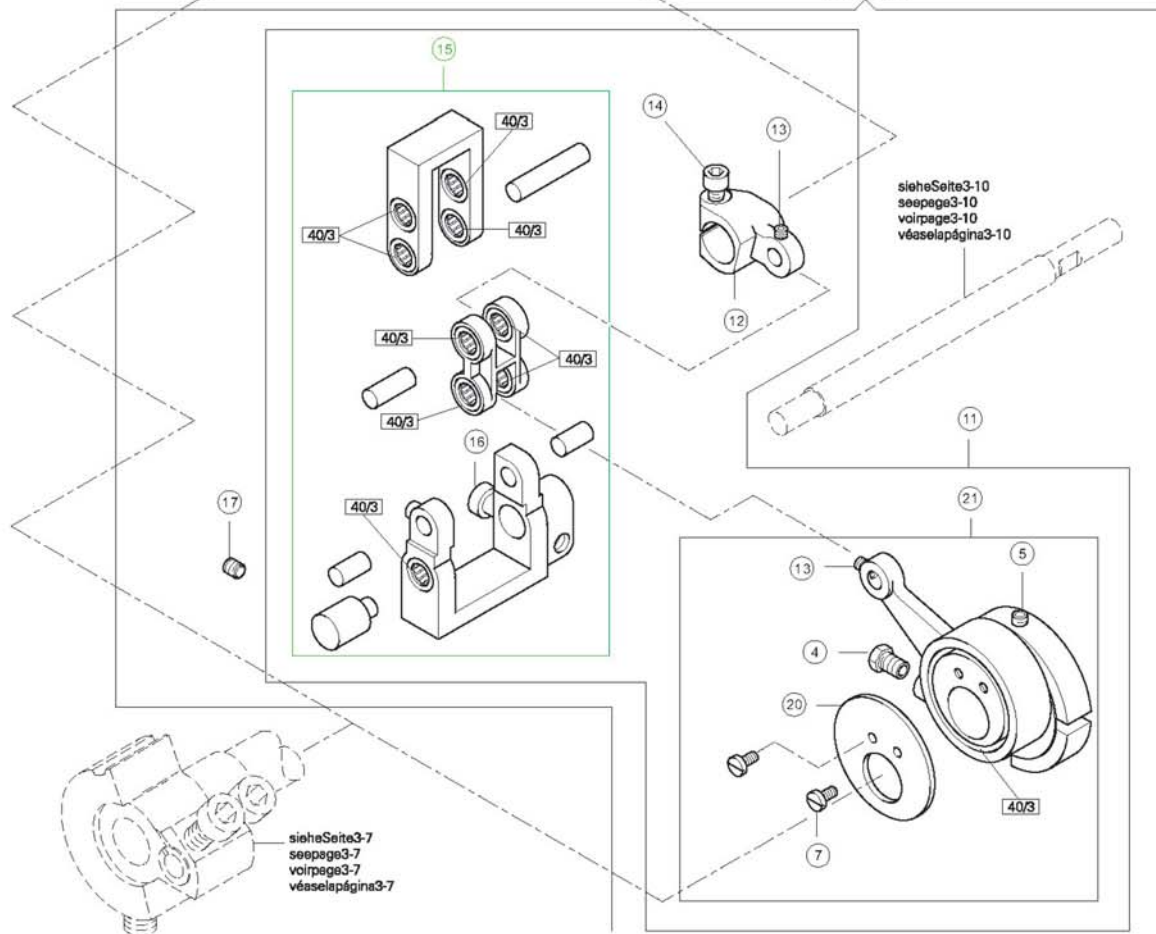
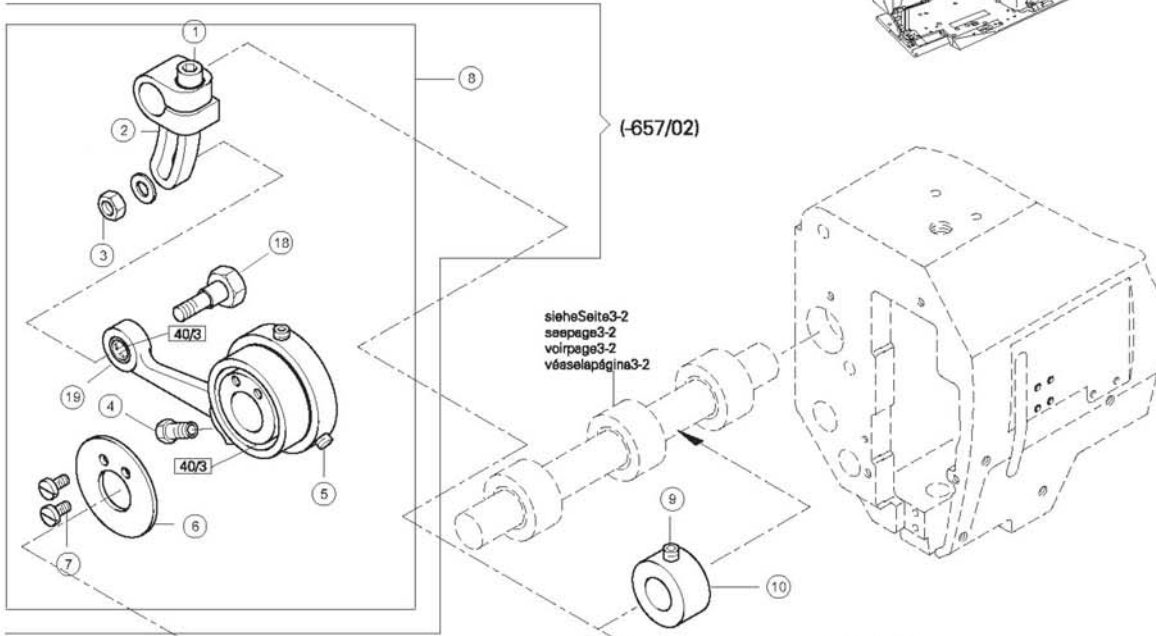
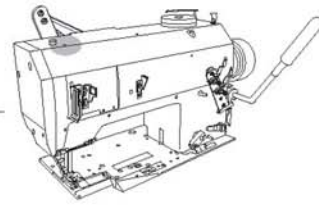





Porter TE-32 PFAFF 5625 Tape Edge				
Number	PFAFF Number	RE	Description	QTY Ordered
1	11-130 299-15	6ZP320	screw	
2	91-271 168-92	6ZC122	crank	
3	12-024 191-15	6Z8959	nut	
4	15-718 051-51	6ZP336	screw, ecc. Oiling	
5	11-330 960-15	6ZC760	set screw	
6	91-271 166-05	6ZP338	cover	
7	11-173 174-25	6ZP322	screw	
8	91-271 181-91	6ZA248	drive assy., complete	
9	11-335 280-15	6ZP333	Pin, threaded	
10	12-710 270-12	6ZD590	collar	
11	91-166 507-91	6Z9899	top feed drive assy	
12	91-166 511-92	6Z8800	crank	
13	11-341 166-15	6ZP334	screw	
14	11-130 287-15	6Z8594	screw	
15	91-266 826-91	6ZB558	adjusting crank	
16	11-132 292-15	6ZP321	screw	
17	11-341 904-15	6ZP335	screw, allen	
18	91-271 178-05	6ZA475	shoulder bolt	
19	14-215 904-13	6ZA201	bearing	
20	91-166 510-05	6ZP337	cover	
21	91-266 827-91	6ZP910	drive assembly	

ALL ORIGINAL EQUIPMENT MANUFACTURERS NAMES AND PART NUMBERS ARE USED FOR IDENTIFICATION PURPOSES ONLY,
 AND WE IN NO WAY IMPLYING THAT OUR PRODUCTS ARE ORIGINAL EQUIPMENT PARTS

Armteile
 Armparts
 Piècesdebras
 Piezasdelbrazo PFAFF5625



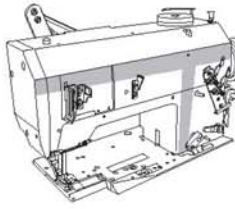

 siehe Kapitel 2 Erläuterung der Schlüsselzeichen
 see chapter 2 Explanation of key markings
 voir le chap. 2 Explication des symboles
 véase el Cap. 2 Explicación de los signos clave

Jumpsource

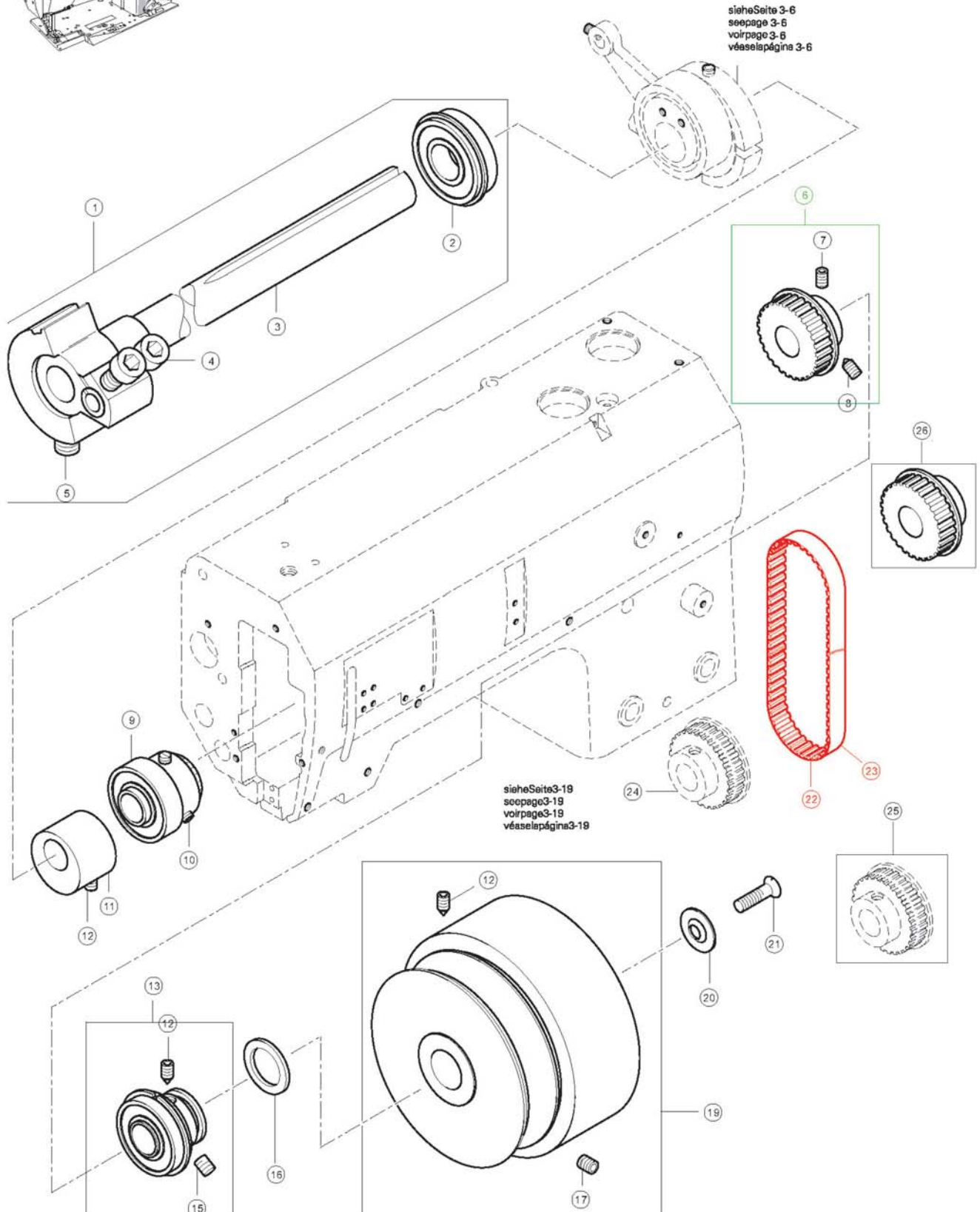


Porter TE-32 PFAFF 5625 Tape Edge				
Number	PFAFF Number	RE	Description	QTY Ordered
1	91-176 177-91	6ZC330	arm shaft eccentric	
2	12-018 644-91	6ZP445	bearing, balance	
3	91-176 207-91	6ZP447	arm shaft eccentric	
4	11-130 224-15	6ZP440	screw	
5	91-700 510-15	6ZD612	thread pin	
6	91-271 094-11	6ZC956	upper gear, narrow belt	
7	11-330 277-15	6ZP441	screw, set	
8	11-335 280-15	6ZP442	pin, threaded	
9	91-168 055-91	6ZC704	friction wheel	
10	91-700 689-15	6ZC480	screw	
11	91-174 344-92	6ZP446	arm shaft eccentric	
12	11-335 902-15	6Z7628	screw, grub	
13	91-119 704-91	6ZB340	bearing , ball	
14	12-361 156-05	6ZP999	spacer washer	
15	11-341 905-15	6ZP443	screw	
16				
17	11-341 902-15	6Z7629	screw, grub	
19	91-266 117-72/893	6Z7642	hand wheel	
20	91-168 480-15	6ZC562	washer	
21	11-210 273-15	6ZC561	screw	
22	16-409 986-05	6Z7615	belt, narrow	
23	N/A	6ZD395	New, wide belt	
24	91-271 096-11	6Z9238	lower gear for narrow belt	
25	N/A	6ZD397	New, lower gear for wide belt	
26	N/A	6ZD396	New, uppergear for wide belt	

ALL ORIGINAL EQUIPMENT MANUFACTURERS NAMES AND PART NUMBERS ARE USED FOR IDENTIFICATION PURPOSES ONLY,
AND WE IN NO WAY IMPLYING THAT OUR PRODUCTS ARE ORIGINAL EQUIPMENT PARTS



Armteile
Armparts
Piècesdebras
Piezasdelbrazo PFAFF5625



Sales@jumpsourc.com

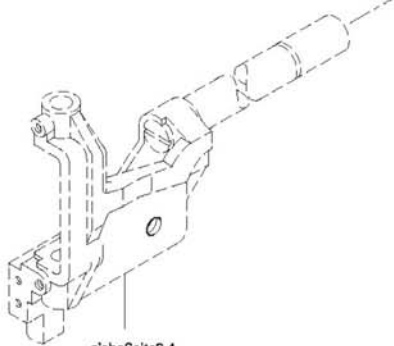
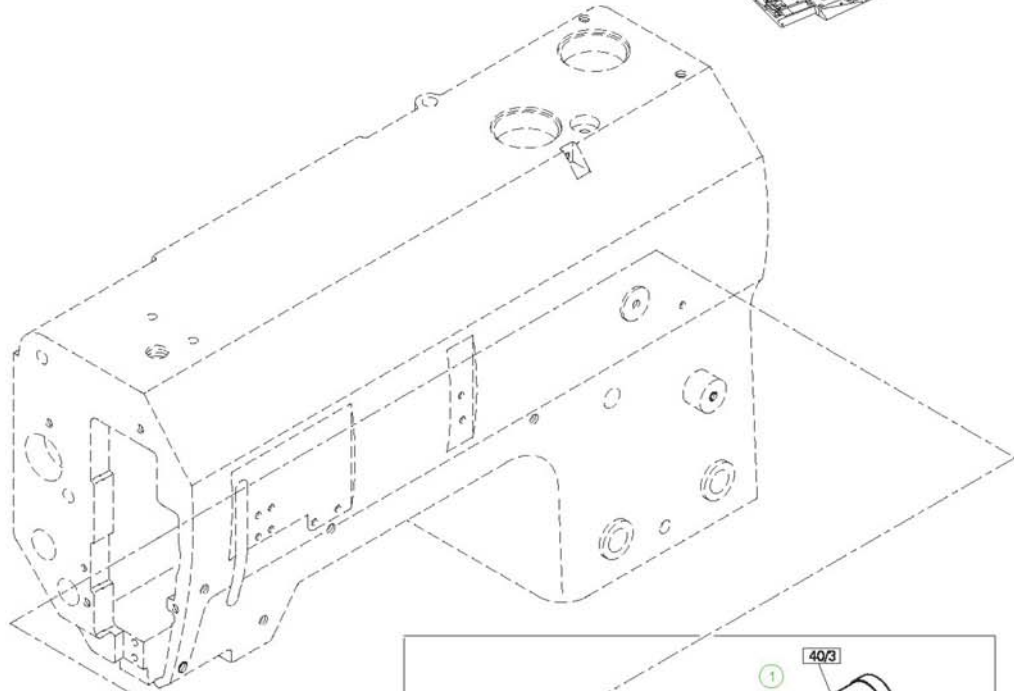
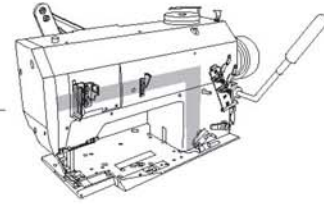


877-850-6957(Toll Free)
978-998-4404(Local)
978-998-4823(Fax)

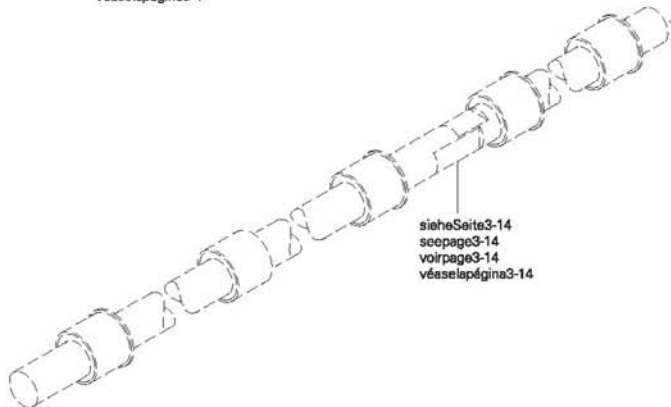
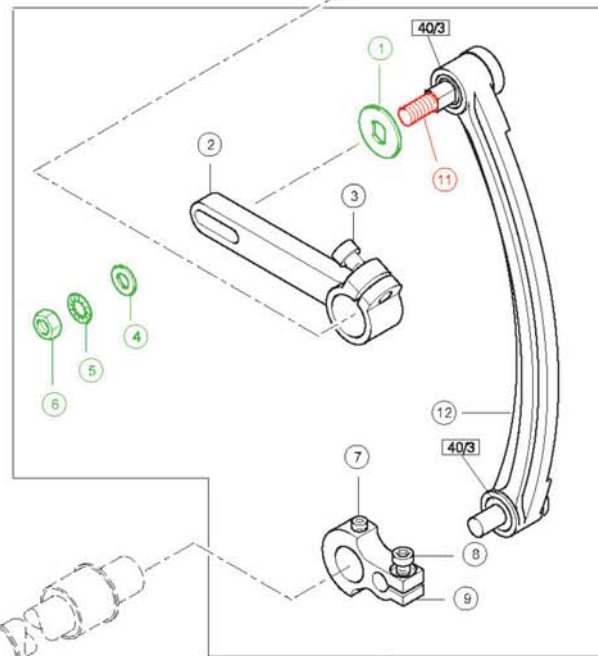
Porter TE-32 PFAFF 5625 Tape Edge				
Number	PFAFF Number	RE	Description	QTY Ordered
1	91-176 360-05	6ZD586	spacer washer	
2	91-266 416-92	6ZC958	crank	
3	11-130 293-15	6ZP500	screw	
4	12-305 174-15	6ZP503	washer	
5	12-510 171-45	6ZD587	washer, tooth	
6	12-005 195-15	6ZP502	nut	
7	11-130 960-15	6ZC760	screw	
8	11-132 223-15	6ZP501	screw	
9	91-266 417-92	6ZE612	crank	
10	91-266 432-91	6ZB532	crank assy., complete	
11	91-176 359-05	6ZE632	Slide bolt	
12	91-266 829-91	6ZP591	crank arm	

ALL ORIGINAL EQUIPMENT MANUFACTURERS NAMES AND PART NUMBERS ARE USED FOR IDENTIFICATION PURPOSES ONLY,
AND WE IN NO WAY IMPLYING THAT OUR PRODUCTS ARE ORIGINAL EQUIPMENT PARTS

Armteile
Armparts
Piècesdebras
Piezasdelbrazo **PFAFF5625**



sieheSeite3-4
 seepage3-4
 voirpage3-4
 véase lapágina3-4



sieheSeite3-14
 seepage3-14
 voirpage3-14
 véase lapágina3-14

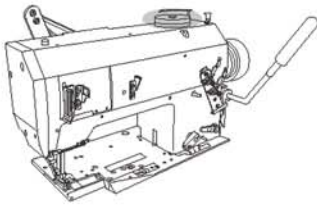
sieheKapitel2ErläuterungderSchlüsselzeichen
 seechapter2Explanationofkeymarkings
 voirchap.2Explicationdessymboles
 véaseelCap.2Explicacionesdelossignosclave

Jumpsource



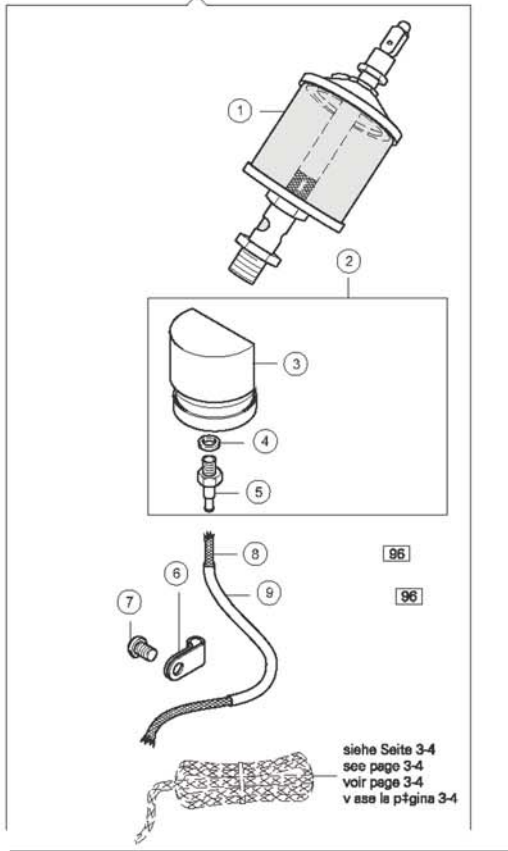
Porter TE-32 PFAFF 5625 Tape Edge				
Number	PFAFF Number	RE	Description	QTY Ordered
1	99-137 421-91	6Z9796 / 6ZA249	oil resevoir	
2	91-271 177-92	6ZB219 / 6Z9797	resevoir mount, complete	
3	91-271 177-15	6ZP607	resevoir mounting block	
4	15-125 149-05	6ZB218	gasket	
5	99-137 272-05	6ZP519	fitting	
6	71-370 001-32	6ZP511	wick tube clamp	
7	91-700 412-25	6ZP518	screw	
8	25-161 801-49	6ZD636	wick	
9	26-536 302-09	6ZD636	wick tube	
11	91-166 587-15	6ZP512	spring	
12	91-266 796-15	6ZD165	stop screw	
13	11-330 220-15	6Z8952	screw	
14	11-713 010-91	6ZP506	screw	
15	12-005 195-15	6ZP507	nut	
16	91-266 712-05	6ZP513	collar	
17	11-330 280-15	6ZB538	screw	
18	12-610 330-45	6ZP509	retaining ring	
19	12-360 184-15	6ZP508	washer	
20	91-266 713-05	6ZP514	shaft	
21	91-266 711-05	6Z8709	bushing	
22	11-108 090-15	6ZP504	screw	
23	91-266 962-05	6ZP516	adjustment lock disc	
24	11-178 233-25	6ZP505	screw	
25	91-266 961-75/698	6ZP515	adjustment crank	
26	14-650 165-05	6ZP510	check ball	
27	91-010 538-05	6ZD322	check ball spring	
28	91-266 960-71/698	6Z8598	adjustmetn unit, front	

ALL ORIGINAL EQUIPMENT MANUFACTURERS NAMES AND PART NUMBERS ARE USED FOR IDENTIFICATION PURPOSES ONLY,
AND WE IN NO WAY IMPLYING THAT OUR PRODUCTS ARE ORIGINAL EQUIPMENT PARTS

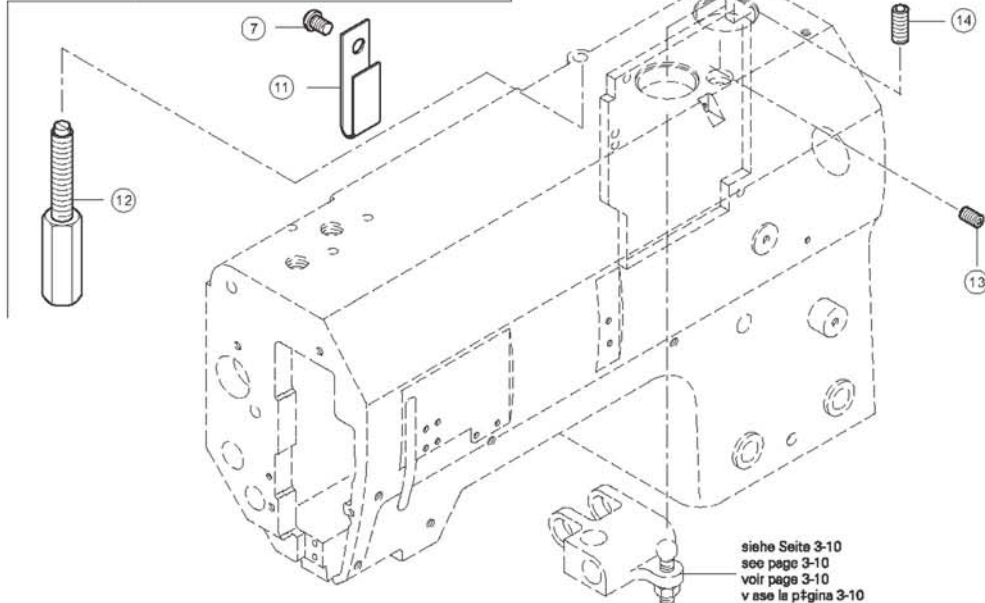
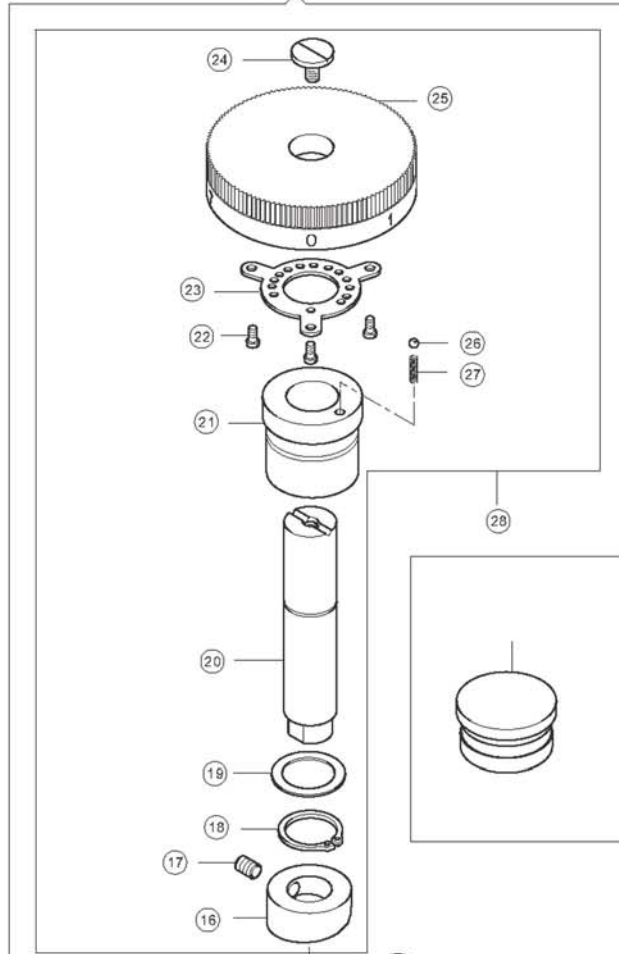


Armteile
Armparts
Piècesdebras
Piezasdelbrazo PFAFF5625

(-657/01; -657/02)



(-657/01)

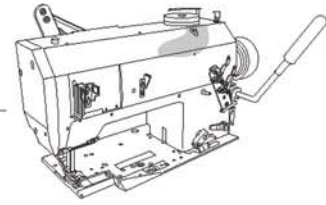




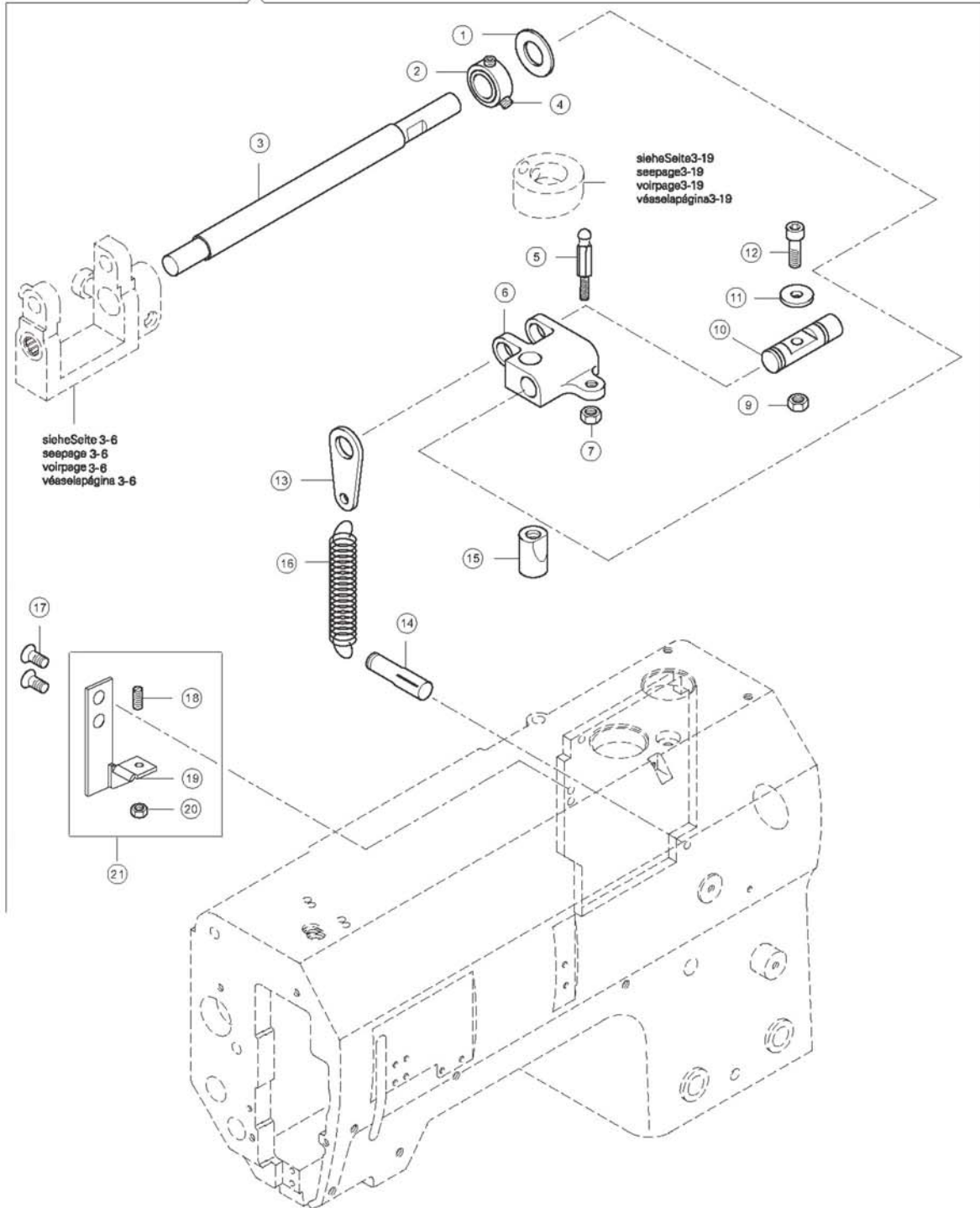
Porter TE-32 PFAFF 5625 Tape Edge				
Number	PFAFF Number	RE	Description	QTY Ordered
1	91-172 676-05	6ZB257	washer	
2	91-171 175-12	6ZP606	collar	
3	91-266 729-04/001	6ZP609	shaft	
4	11-330 952-15	6ZB158	set screw	
5	91-266 716-05	6ZC742	adjusting stop stud	
6	91-266 717-05	6ZP608	crank	
7	12-005 175-15	6ZP602	nut	
9	12-024 171-15	6ZB132	nut	
10	91-166 543-05	6ZP605	pivot pin	
11	12-335 171-15	6ZP603	washer	
12	11-130 233-15	6ZC432	screw	
13	91-166 542-05	6ZC065	spring yoke	
14	91-167 568-05	6Z7635	tension spring stud	
15	91-166 532-05	6ZP604	lock pin	
16	13-064 388-05	6ZD707	tension spring	
17	11-225 220-15	6Z7862	screw	
18	11-317 176-15	6ZP600	set screw	
19	91-271 162-15	6ZP610	angle	
20	12-005 154-15	6ZP601	nut	
21	91-271 110-91	6Z7861	angle assy., complete	

ALL ORIGINAL EQUIPMENT MANUFACTURERS NAMES AND PART NUMBERS ARE USED FOR IDENTIFICATION PURPOSES ONLY,
AND WE IN NO WAY IMPLYING THAT OUR PRODUCTS ARE ORIGINAL EQUIPMENT PARTS

Armteile
 Armparts
 Piècesdebras
 Piezasdelbrazo PFAFF5625



-657/01



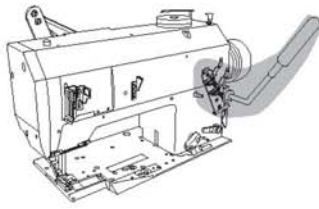
□ sieheKapitel2ErläuterungderSchlüsselzeichen
 seechapter2Explanationofkeymarkings
 voirlechap.2Explicationdessymboles
 véaseelCap.2Explicacionesdelosnúmerosclave

Jumpsource

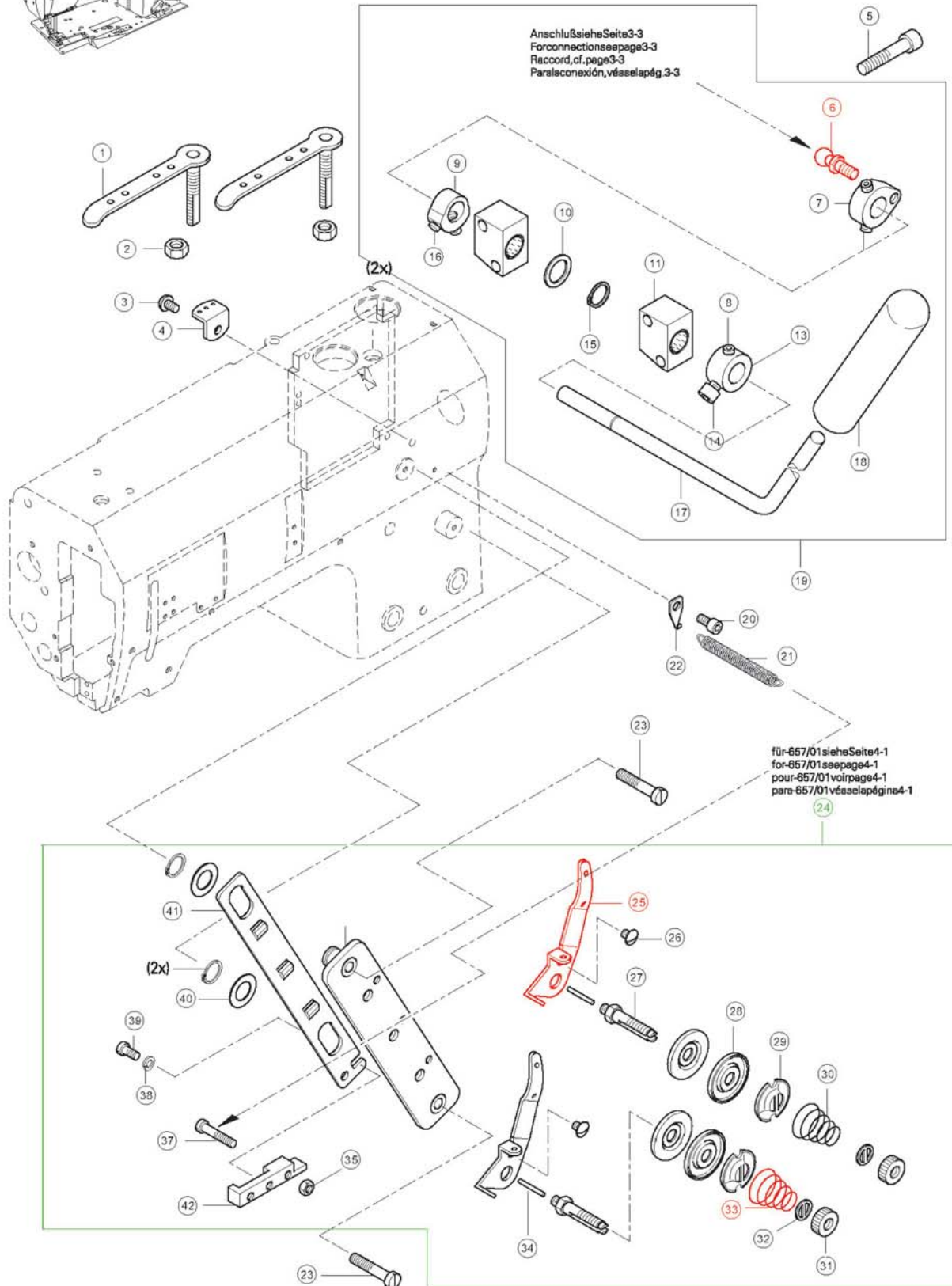


Porter TE-32 PFAFF 5625 Tape Edge				
Number	PFAFF Number	RE	Description	QTY Ordered
1	91-166 452-21	6Z7597	upper thread guide	
2	12-024 191-25	6Z8959	nut	
3	91-700 335-25	6ZC250	screw	
4	91-169 672-25	6ZP648	thread guide	
5	11-130 311-15	6Z8957	screw	
6	16-047 041-15	6Z8956	ball stud	
7	91-271 126-12	6Z7646	cam	
8	11-330 277-15	6ZP642	screw, set	
9	91-271 124-12	6zp652	eccentric collar	
10	91-087 317-15	6ZC427	washer	
11	91-271 121-91	6ZP651	pivot block	
13	91-271 123-11	6ZP654	collar	
14	11-130 284-15	6Z7608	collar lock screw	
15	12-610 250-45	6ZP646	snap ring	
16	11-330 277-15	6ZP642	screw, set	
17	91-271 120-15	6Z7645	lever	
18	91-271 135-05	6Z7647	hand grip	
19	91-271 119-91	6ZP650	lever assy., complete	
20	11-130 194-15	6ZP641	screw	
21	91-046 678-05	6Z8079	spring	
22	91-021 124-15	6Z8078	spring retaining bracket	
23	11-108 246-25	6Z9577	screw	
24	91-271 133-91	6Z9214	lower tension assembly	
25	91-169 594-25	6Z9873	thread guide	
26	91-701 344-15	6ZP653	screw	
27	91-172 810-05	6Z7636	tension stud	
28	91-002 065-05	6Z2849	disc, tension	
29	91-010 181-25	6Z9576	disc, tension	
30	91-010 183-05	6z8950	spring, tension	
31	91-001 522-25	6Z8951	tension adjustment nut	
32	91-105 447-25	6ZP647	spring guide washer	
33	91-009 276-05	6ZA830	tension spring	
34	13-033 103-05	6Z9193	pin	
35	12-024 151-25	6ZP644	nut	
37	11-108 192-25	6ZP630	screw	
38	12-499 150-45	6ZP645	washer, lock	
39	11-108 174-15	6ZP620	screw	
40	91-107 204-25	6ZC425	spacing washer	
41	91-169 633-25	6Z8080	thread tension bracket	
42	91-271 134-15	6ZA101	tension block	

ALL ORIGINAL EQUIPMENT MANUFACTURERS NAMES AND PART NUMBERS ARE USED FOR IDENTIFICATION PURPOSES ONLY,
AND WE IN NO WAY IMPLYING THAT OUR PRODUCTS ARE ORIGINAL EQUIPMENT PARTS



**Armteile
Armparts
Piècesdebras
Piezasdelbrazo PFAFF5625**



Jumpsource

□ sieheKapitel2ErläuterungderSchlüsselzeichen
 seechapter2Explanationofkeymarkings
 voirlechap.2Explicationdessymboles
 véaseelCap.2Explicaciónelossignosclave

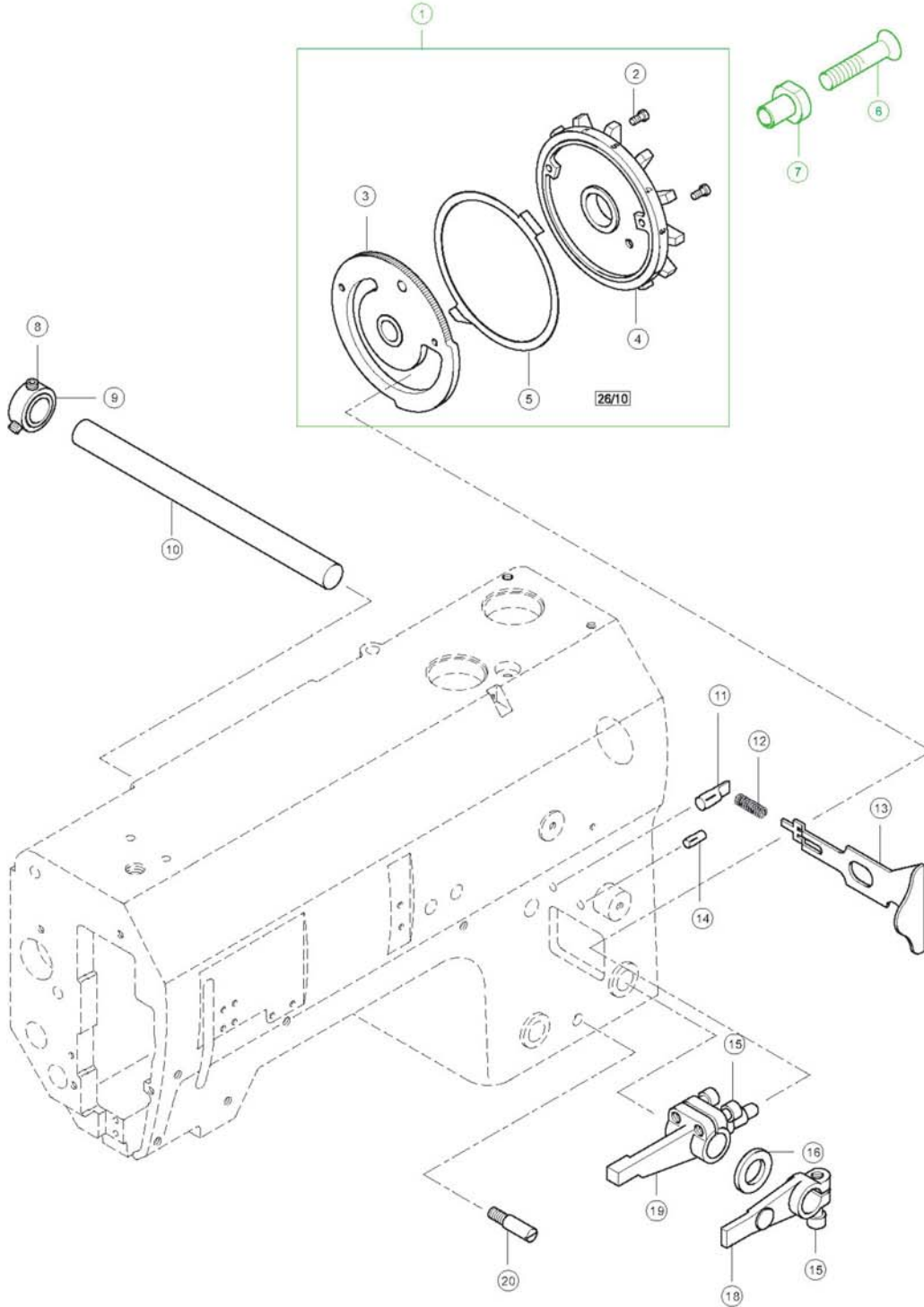
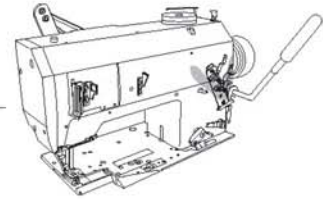


Porter TE-32 PFAFF 5625 Tape Edge				
Number	PFAFF Number	RE	Description	QTY Ordered
1	91-177 649-71/698	6ZC077	Stitch dial, complete	
2	11-108 093-15	6ZB352	Screw	
3	91-177 650-91	6ZC169	stitch dial ratchet	
4	91-171 906-75/698	6Z8597	adjustment dial	
5	91-175 217-15	6ZC170	adjustment locking ring	
6	11-225 381-15	6ZC846	Screw	
7	91-171 883-15	6ZC847	bushing	
8	11-330 952-15	6ZP702	Screw	
9	91-171 175-12	6ZP705	bearing collar	
10	91-271 102-05	6ZP707	shaft	
11	91-101 758-25	6ZD504	pin, tapered	
12	91-069 135-05	6ZC040	spring, pressure	
13	91-069 132-25	6ZC038	slide	
14	91-101 756-05	6ZP703	pin, tapered	
15	11-130 227-15	6ZP700	Screw	
16	91-170 809-05	6ZP704	washer	
18	91-172 659-72/895	6ZP706	reverse crank	
19	91-271 151-92	6ZD709	crank	
20	91-701 039-15	6ZP708	pivot stud	

ALL ORIGINAL EQUIPMENT MANUFACTURERS NAMES AND PART NUMBERS ARE USED FOR IDENTIFICATION PURPOSES ONLY,
 AND WE IN NO WAY IMPLYING THAT OUR PRODUCTS ARE ORIGINAL EQUIPMENT PARTS

Armteile
Armparts
Piècesdebras
Piezasdelbrazo

PFAFF5625



■ siehe Kapitel 2 Erläuterung der Schlüsselzeichen
 see chapter 2 Explanation of key markings
 voir le chap. 2 Explication des symboles
 véase el Cap. 2 Explicación de los signos clave

Jumpsource

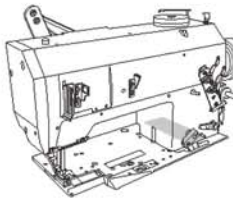
Sales@jumpsource.com



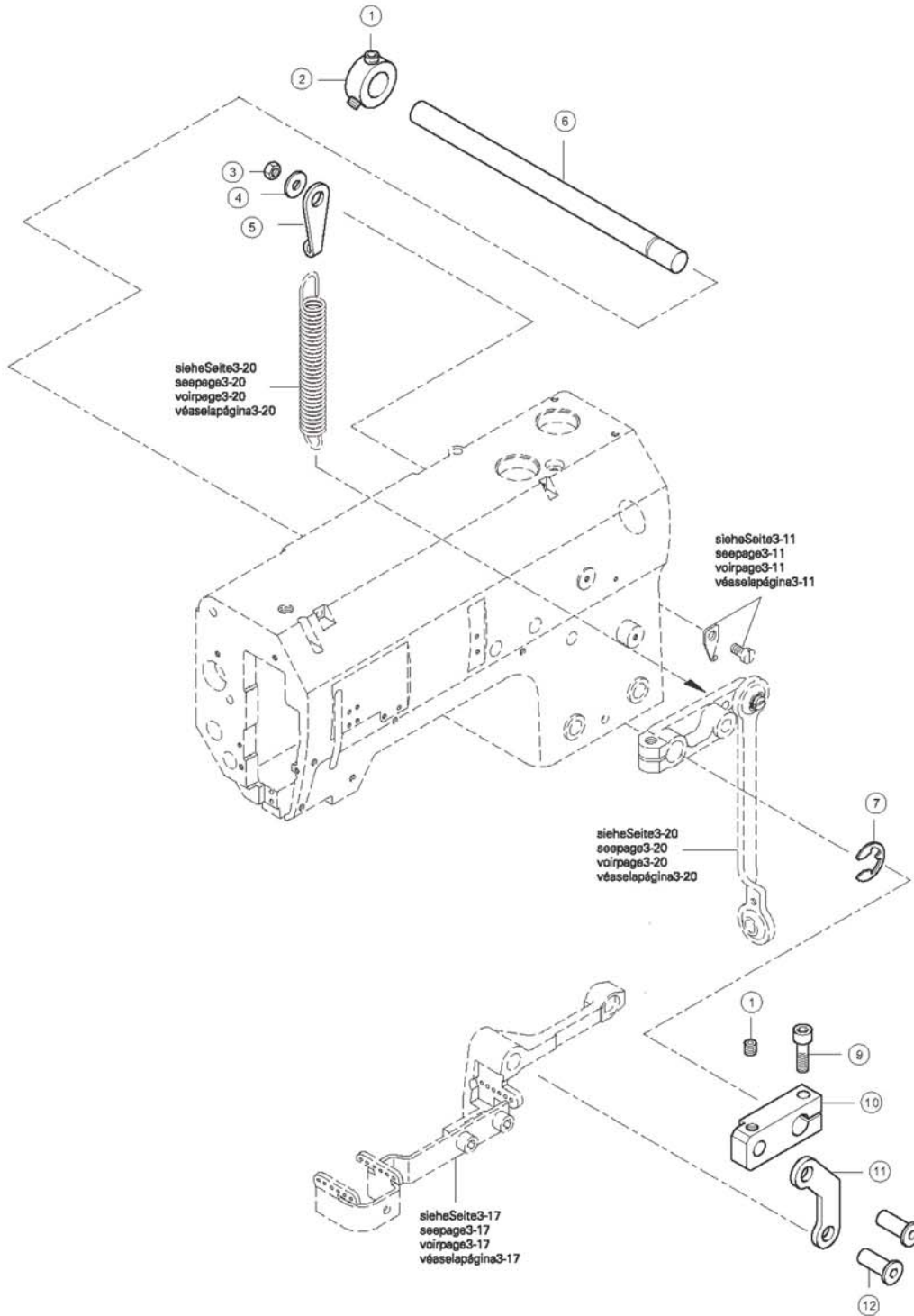
877-850-6957(Toll Free)
978-998-4404(Local)
978-998-4823(Fax)

Porter TE-32 PFAFF 5625 Tape Edge				
Number	PFAFF Number	RE	Description	QTY Ordered
1	11-330 952-15	6ZB158	screw	
2	91-069 222-12	6ZP732	collar	
3	12-024 151-25	6ZP730	nut	
4	12-335 151-15	6ZP731	washer	
5	91-107 886-15	6Z9842	spring retainer	
6	91-271 101-05	6ZP736	shaft	
7	12-640 220-55	6Z7631	E-clip	
9	11-130 233-15	6ZC432	screw	
10	91-178 263-92	6ZP734	link block	
11	91-178 264-25	6ZP735	link	
12	91-169 698-05	6Z8674	pivot stud	

ALL ORIGINAL EQUIPMENT MANUFACTURERS NAMES AND PART NUMBERS ARE USED FOR IDENTIFICATION PURPOSES ONLY,
AND WE IN NO WAY IMPLYING THAT OUR PRODUCTS ARE ORIGINAL EQUIPMENT PARTS



**Armteile
Armparts
Piècesdebras
Piezasdelbrazo PFAFF5625**



Jumpsources

☐ siehe Kapitel 2 Erläuterung der Schlüsselzeichen
see chapter 2 Explanation of key markings
voir le chap. 2 Explication des symboles
véase el Cap. 2 Explicación de los signos clave

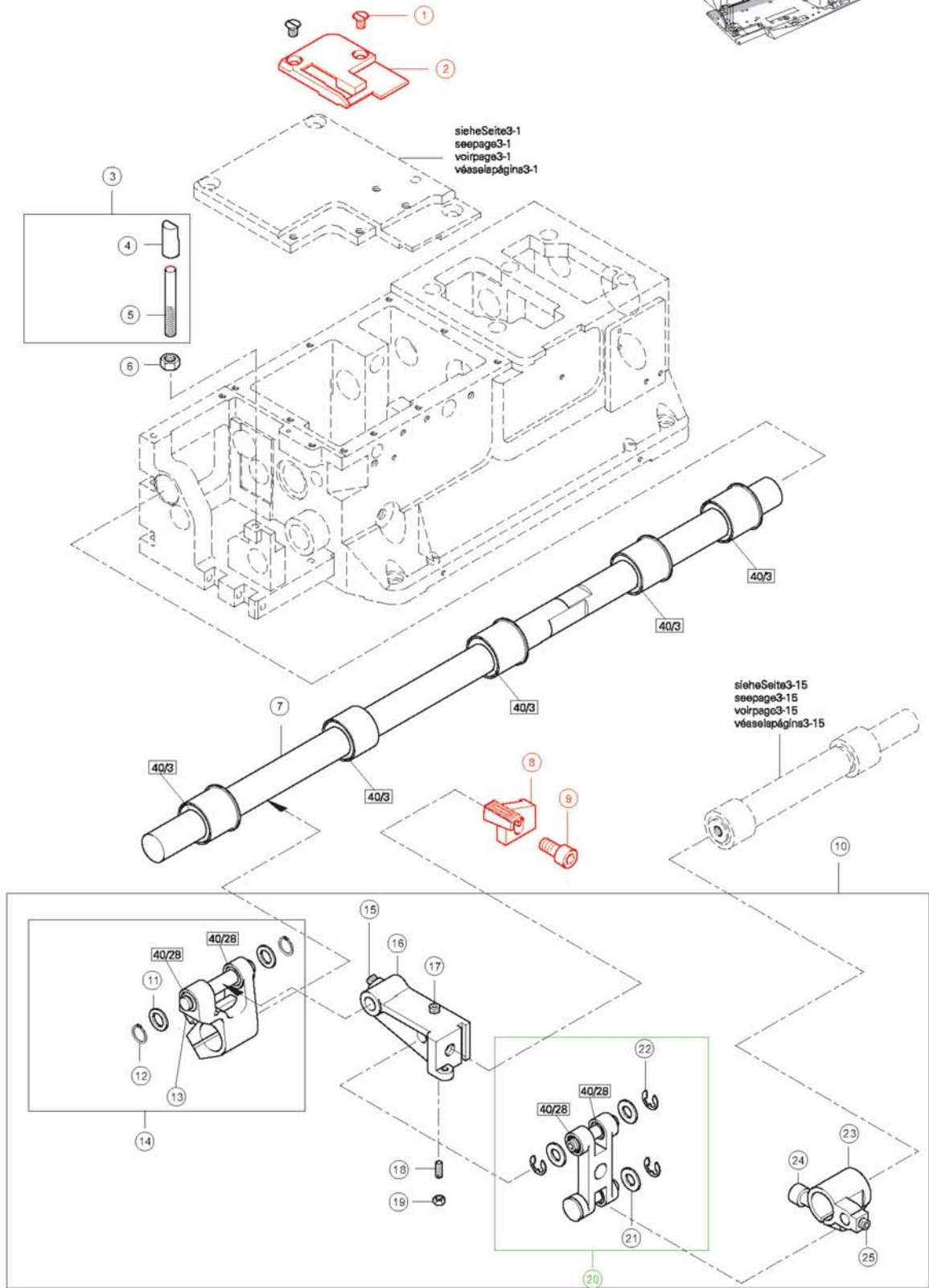
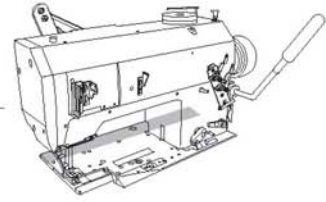


Porter TE-32 PFAFF 5625 Tape Edge				
Number	PFAFF Number	RE	Description	QTY Ordered
1	91-100 296-25	6Z7606	screw, needle plate	
2	91-150 809-05	6Z7605	needle plate	
3	91-271 188-01	6ZB902	plate support assy.	
4	91-271 179-05	6ZB748	plate support stop	
5	91-271 187-05	6ZP770	plate support stud	
6	12-024 171-25	6ZP771	nut	
7	91-271 137-91	6ZD472	shaft assy	
8	91-050 493-05	6Z7607	feed dog	
9	11-130 905-15	6Z9587	screw, feed dog	
10	91-178 831-91	6ZB156	feed mechanism assy	
11	91-131 071-05	6ZD033	washer	
12	12-610 200-45	6ZA614	snap ring	
13	11-130 905-15	6ZP772	screw	
14	91-271 138-91	6ZA247	feed lever assy	
15	11-330 952-15	6ZB158	set screw	
16	91-178 835-15	6Z7621	feed dog shank	
17	11-330 220-15	6Z8952	screw	
18	11-317 107-15	6Z8596	limit screw	
19	12-005 125-15	6Z9276	nut	
20	91-271 139-91	6Z9720	feed link assy.	
21	91-169 556-05	6ZD034	wsher	
22	12-640 170-55	6ZC249	E-clip	
23	91-177 269-12	6ZA246	feed crank	
24	11-130 903-15	6ZP773	screw	
25	11-330 217-15	6Z7627	screw	

ALL ORIGINAL EQUIPMENT MANUFACTURERS NAMES AND PART NUMBERS ARE USED FOR IDENTIFICATION PURPOSES ONLY,
 AND WE IN NO WAY IMPLYING THAT OUR PRODUCTS ARE ORIGINAL EQUIPMENT PARTS

Grundplattenteile
Bedplateparts
Piècesduplateaufondamental
Piezasdelcárter

PFAFF5625



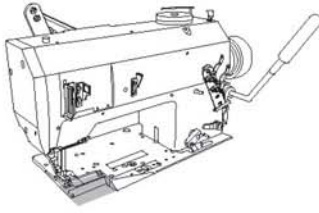
□ siehe Kapitel 2 Erläuterung der Schlüsselzeichen
see chapter 2 Explanation of key markings
voir le chap. 2 Explication des symboles
véase el Cap. 2 Explicación de los signos clave

Jumpsource



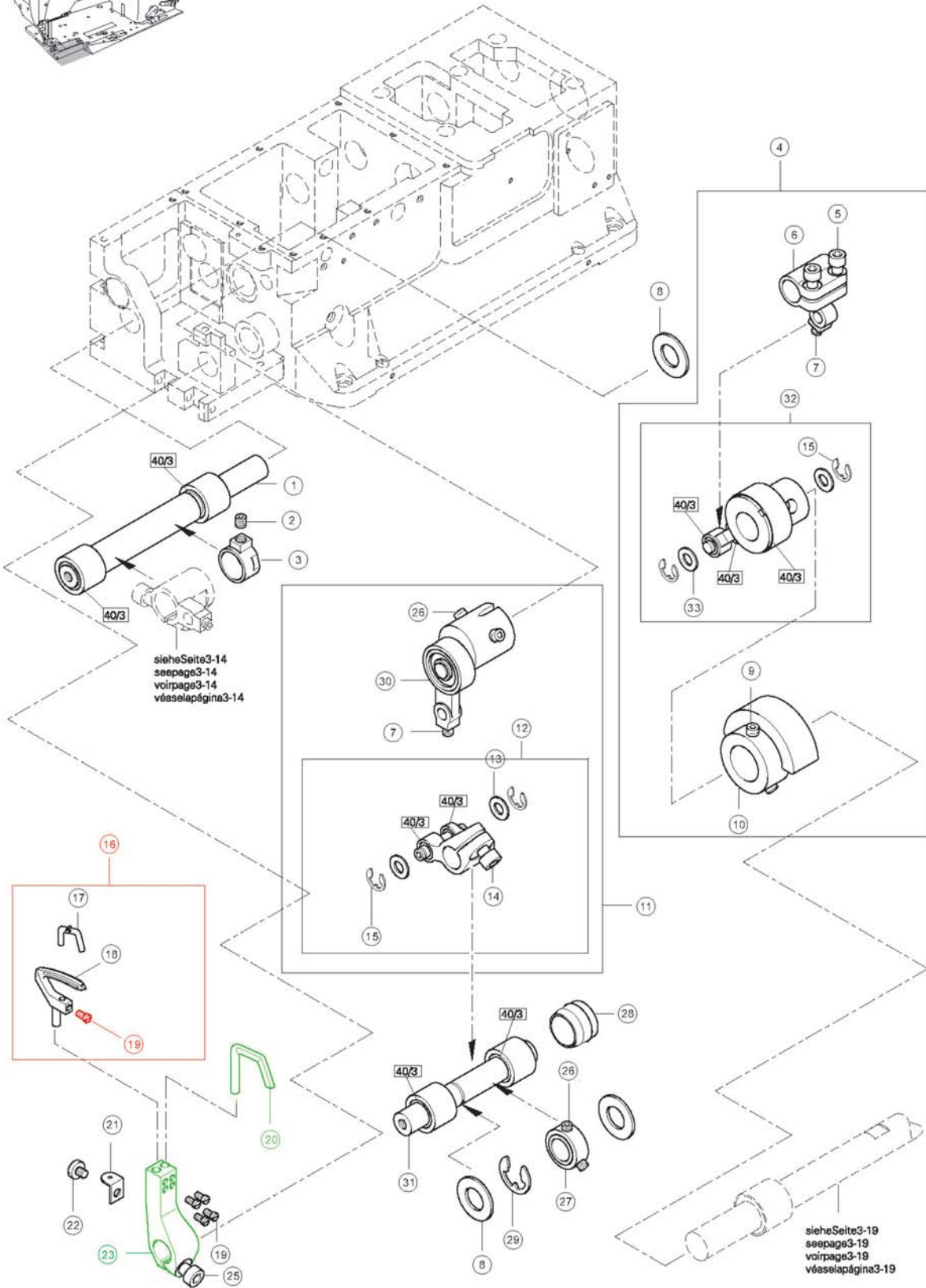
Porter TE-32 PFAFF 5625 Tape Edge				
Number	PFAFF Number	RE	Description	QTY Ordered
1	91-271 140-91	6ZB255	lifting shaft	
2	11-330 952-15	6ZB158	screw	
3	91-177 273-12	6ZP802	collar	
4	91-172 692-91	6ZB256	feed ecc. assy. complete	
5	11-130 227-15	6ZP775	screw	
6	91-172 696-92	6ZP801	feed eccentric crank	
7	11-330 217-15	6Z7627	set screw	
8	91-172 676-05	6ZB257	washer	
9	11-341 902-15	6Z7629	screw, grub	
10	91-172 695-92	6ZP800	counter balance	
11	91-177 886-91	6ZB418	looper drive ecc., cpmplete	
12	91-271 142-91	6ZP803	looper drive eccentric	
13	91-169 556-05	6ZD034	washer	
14	11-130 905-15	6Z9587	screw	
15	12-640 170-55	6ZC249	E-clip	
16	91-177 868-91	6Z7600	looper w/ needle guard	
17	91-172 802-01	6Z7618	needle guard	
18	91-177 867-05	N/A	looper	
19	11-174 089-15	6Z7612	screw, looper	
20	91-178 582-05	6Z7620	needle guard	
21	91-177 975-25	6Z7619	thread guide	
22	91-700 335-25	6ZC250	screw	
23	91-271 088-12	6Z8595	looper lever	
25	11-130 287-15	6Z8594	screw	
26	11-330 952-15	6Z9230	screw	
27	91-171 175-12	6ZP901	collar	
28	91-171 962-05	6ZP902	bushing	
29	12-640 230-55	6ZC544	E-clip	
30	91-178 799-91	6ZB418	looper drive eccentric	
31	91-271 141-91	6ZP903	shaft	
32	91-271 143-91	6ZP904	clutch assy	
33	91-169 556-05	6ZP905	washer	

ALL ORIGINAL EQUIPMENT MANUFACTURERS NAMES AND PART NUMBERS ARE USED FOR IDENTIFICATION PURPOSES ONLY,
AND WE IN NO WAY IMPLYING THAT OUR PRODUCTS ARE ORIGINAL EQUIPMENT PARTS



Grundplattenteile
 Bedplateparts
 Piècesduplateaufondamental
 Piezasdelcárter

PFAFF5625



☐ siehe Kapitel 2 Erläuterung der Schlüsselzeichen
 see chapter 2 Explanation of key markings
 voir le chap. 2 Explication des symboles
 véase el Cap. 2 Explicación de los signos clave

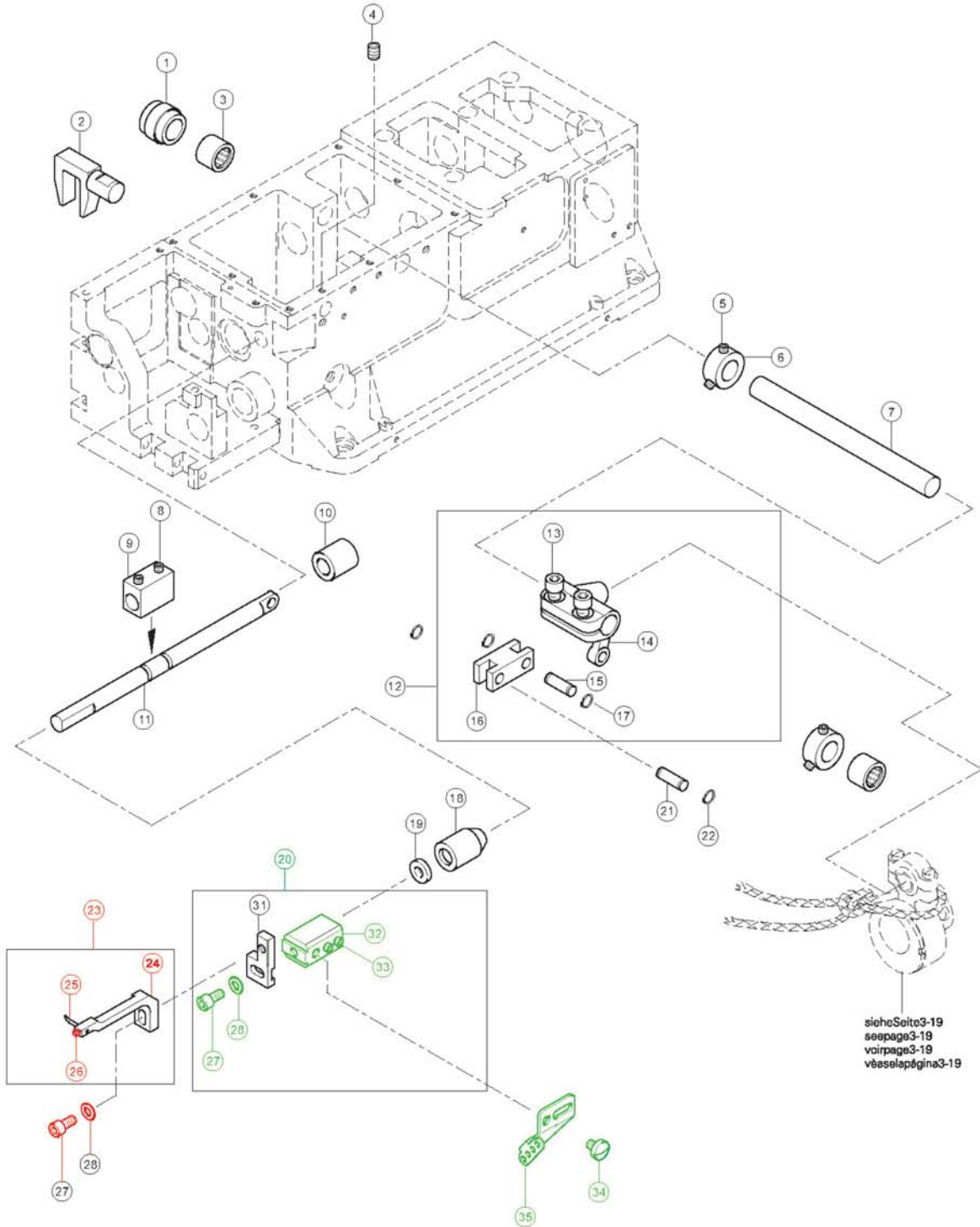
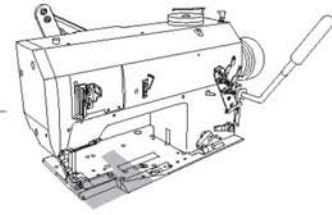


Porter TE-32 PFAFF 5625 Tape Edge				
Number	PFAFF Number	RE	Description	QTY Ordered
1	91-168 385-05	6ZD708	plug/seal	
2	91-172 938-05	6ZP853	guide fork	
3	14-218 080-01	6Z9272	bearing, 1mmx10mm	
4	11-330 217-15	6Z7627	set screw	
5	11-330 166-15	6ZP842	set screw	
6	91-172 708-92	6ZP851	collar	
7	91-172 707-04	6ZP850	shaft	
8	11-335 169-15	6ZP844	screw	
9	91-172 937-92	6ZC886	slide block	
10	91-271 105-05	6ZP855	bushing	
11	91-172 709-05	6ZA356	spreader dirve shaft	
12	91-172 703-91	6ZD328	lever, complete	
13	11-130 227-15	6ZP841	screw	
14	91-172 704-92	6ZP847	lever	
15	91-172 706-05	6ZP848	pivot pin	
16	91-172 705-05	6ZB157	link	
17	12-610 170-45	6Z8514	snap ring	
18	91-271 182-05	6ZC885	bushing	
19	15-120 725-05	6ZC887	o-ring	
20	91-172 799-11	6Z9575	spreader mount, complete	
23	91-178 339-91	6Z7601	spreader, complete	
24	91-178 340-15	6ZP854	see 91-178 339-91	
25	91-271 150-05	6Z8417	spreader point	
26	91-100 348-15	6ZA592	spreader point screw	
27	11-130 173-15	6Z7609	washer	
28	12-305 114-15	6Z7613	screw	
31	91-172 713-15	6Z9780	spreader mounting bracket	
32	91-172 712-12	6ZP852	guide block	
33	11-330 169-15	6ZP843	screw, allen	
34	91-700 335-25	6Z7622	screw	
35	91-172 622-25	6Z7617	thread guide	

ALL ORIGINAL EQUIPMENT MANUFACTURERS NAMES AND PART NUMBERS ARE USED FOR IDENTIFICATION PURPOSES ONLY,
 AND WE IN NO WAY IMPLYING THAT OUR PRODUCTS ARE ORIGINAL EQUIPMENT PARTS

Grundplattenteile
 Bedplate parts
 Pièces du plateau fondamental
 Piezas del cárter

PFAFF5625



□ siehe Kapitel 2 Erläuterung der Schlüsselzeichen
 see chapter 2 Explanation of key markings
 voir le chap. 2 Explication des symboles
 véase el Cap. 2 Explicación de los signos clave

Jumpsources

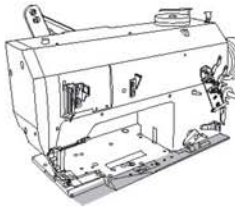
Sales@jumpsource.com



877-850-6957(Toll Free)
978-998-4404(Local)
978-998-4823(Fax)

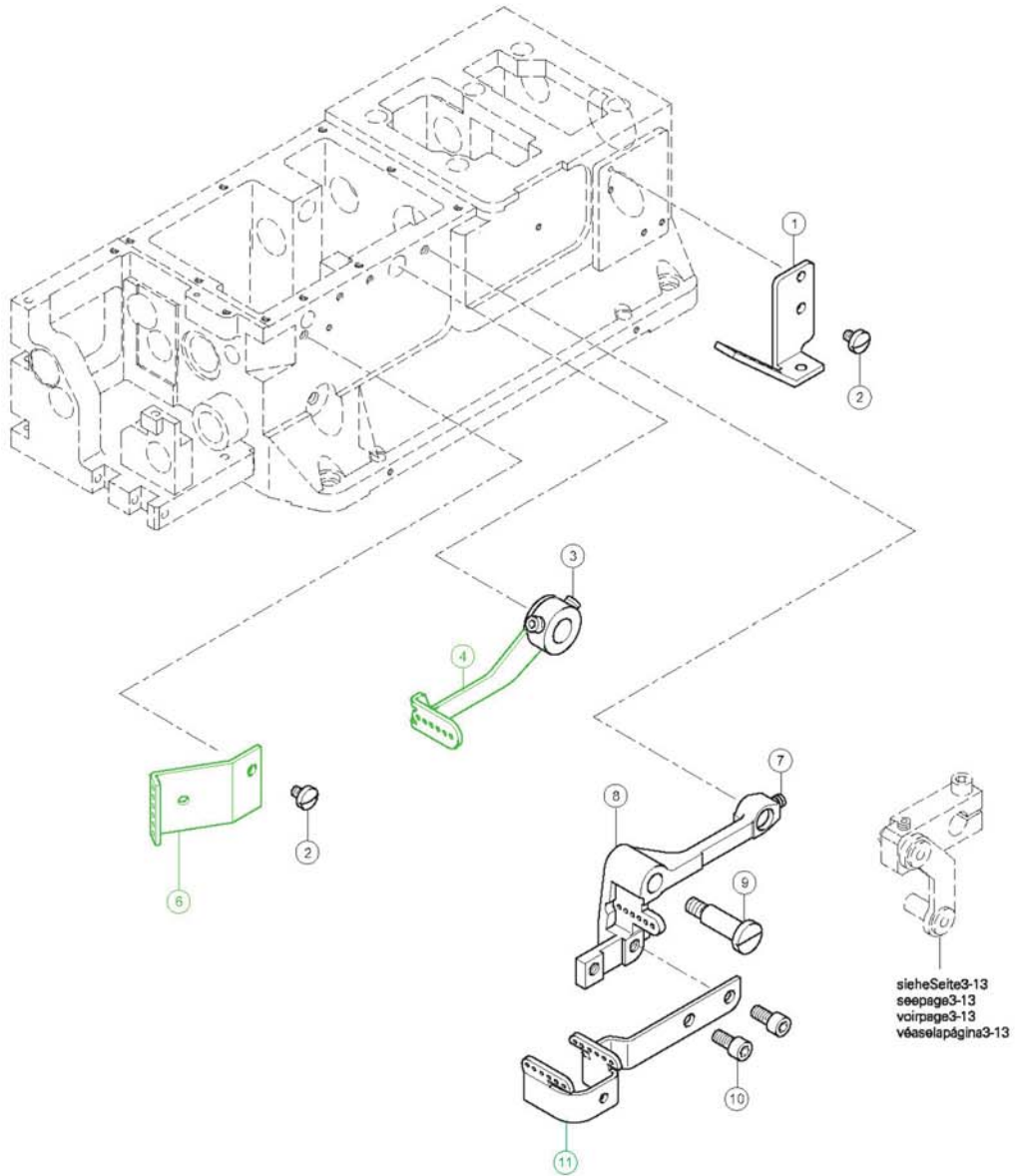
Porter TE-32 PFAFF 5625 Tape Edge				
Number	PFAFF Number	RE	Description	QTY Ordered
1	91-178 270-25	6ZP860	thread guide	
2	91-700 335-25	6ZP861	screw	
3	11-341 901-15	6Z9230	Screw	
4	91-177 580-92	6ZP858	take up lever	
6	91-178 269-25	6Z9274	thread guide	
7	11-330 952-15	6ZB158	Screw	
8	91-178 265-92	6Z9578	thread guide	
9	11-186 965-15	6ZP857	pivot bolt	
10	11-130 224-15	6ZP856	Screw	
11	91-178 266-25	6ZP859	looper thread guide	

ALL ORIGINAL EQUIPMENT MANUFACTURERS NAMES AND PART NUMBERS ARE USED FOR IDENTIFICATION PURPOSES ONLY,
AND WE IN NO WAY IMPLYING THAT OUR PRODUCTS ARE ORIGINAL EQUIPMENT PARTS



Grundplattenteile
 Bedplateparts
 Piècesduplateaufondamental
 Piezasdelcárter

PFAFF5625



sieheSeite3-13
 seepage3-13
 voirpage3-13
 véaseelapágina3-13

Sales@jumpsource.com



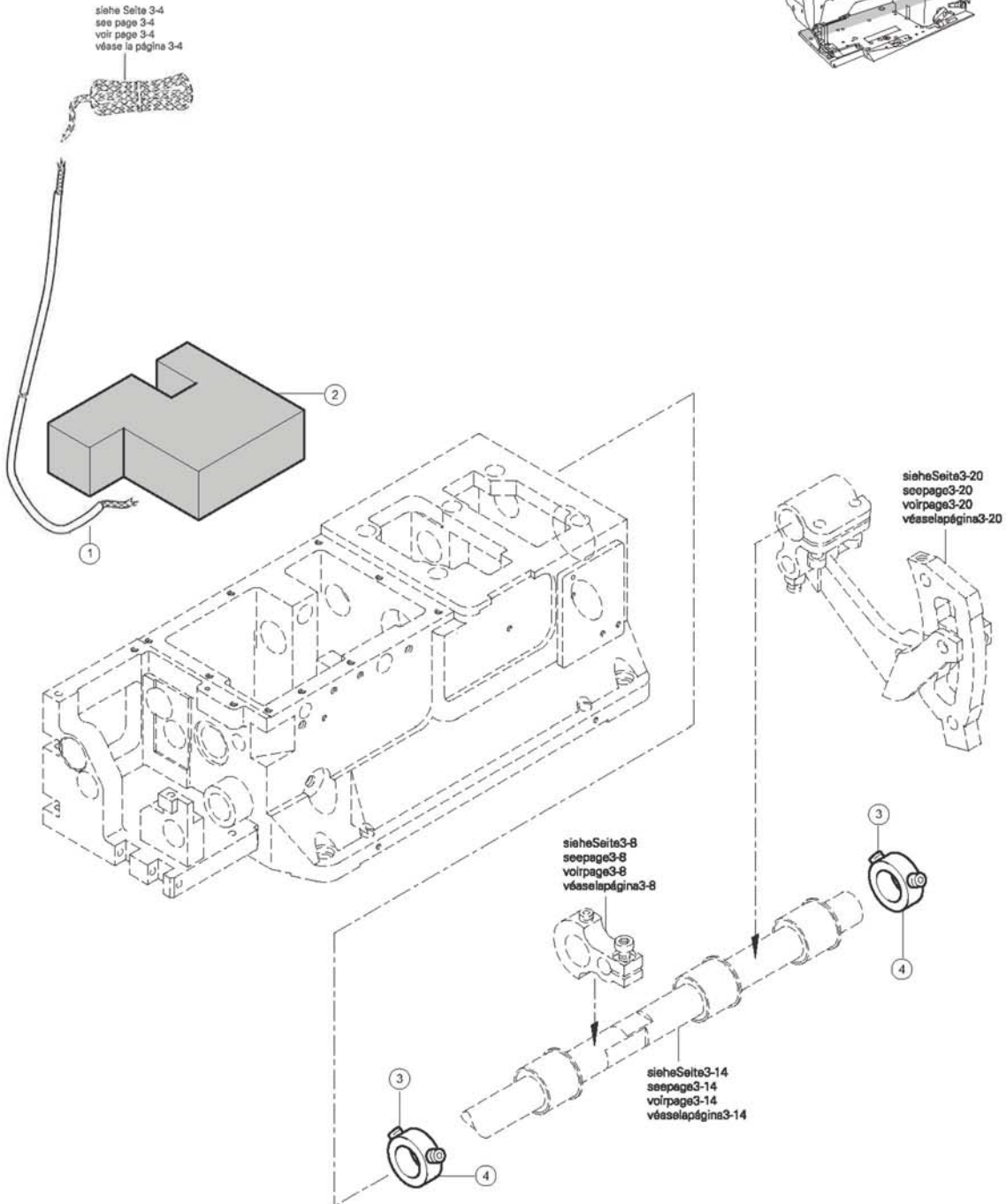
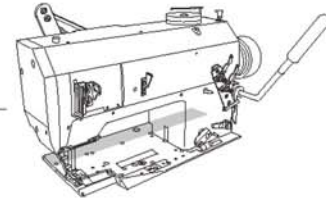
877-850-6957(Toll Free)
978-998-4404(Local)
978-998-4823(Fax)

Porter TE-32 PFAFF 5625 Tape Edge				
Number	PFAFF Number	RE	Description	QTY Ordered
1	91-266 691-01	6ZD636	oil tube w/hose	
2	91-271 112-05	6ZP871	lubricating pad	
3	11-341 901-15	6Z9230	screw	
4	91-118 893-92	6ZP870	collar	

ALL ORIGINAL EQUIPMENT MANUFACTURERS NAMES AND PART NUMBERS ARE USED FOR IDENTIFICATION PURPOSES ONLY,
AND WE IN NO WAY IMPLYING THAT OUR PRODUCTS ARE ORIGINAL EQUIPMENT PARTS

Grundplattenteile
 Bedplateparts
 Piècesduplateaufondamental
 Piezasdelcárter

PFAFF5625



□ siehe Kapitel 2 Erläuterung der Schlüsselzeichen
 see chapter 2 Explanation of key markings
 voir le chap. 2 Explication des symboles
 véase el Cap. 2 Explicación de los signos clave

Jumpsource

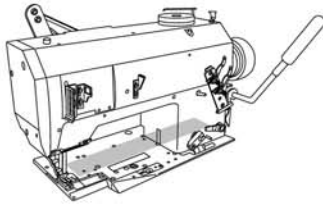
Sales@jumpsourc.com



877-850-6957(Toll Free)
978-998-4404(Local)
978-998-4823(Fax)

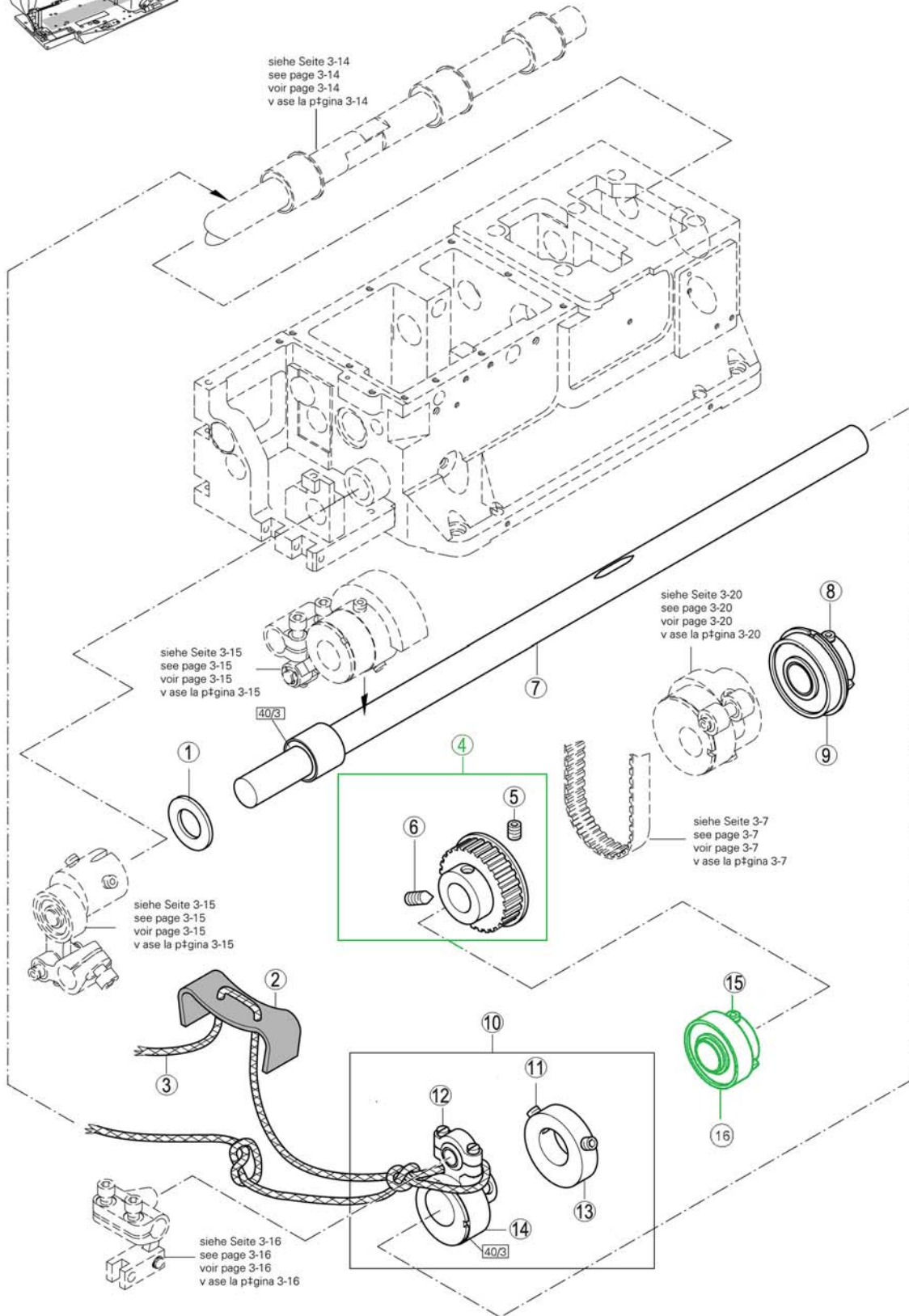
Porter TE-32 PFAFF 5625 Tape Edge				
Number	PFAFF Number	RE	Description	QTY Ordered
1	91-172 732-05	6ZP876	washer	
2	91-271 109-05	6ZP877	oil wick holder	
3	26-536 303-09(500)	6Z9240	oil wick	
4	91-271 096-11	6Z9238	lower belt gear, narrow belt	
5	11-330 277-15	6Z8952	set screw	
6	11-335 280-15	6ZB538	locking set screw	
7	91-271 144-91	6ZD481	lower shaft	
8	11-330 964-15	6ZP873	set screw	
9	91-172 679-91	6ZC514	shaft, main bearing	
10	91-172 697-91	6ZD327	eccentric assy., complete	
11	11-341 902-15	6Z7629	set screw	
12	11-174 176-15	6ZP872	screw	
13	91-172 702-92	6ZP875	collar	
14	91-271 145-91	6ZP878	eccentric	
15	11-330 964-15	6ZP879	set screw	
16	91-172 678-91	6ZP889	shaft, main bearing	
17	N/A	6ZD397	New, lower gear for wide belt	

ALL ORIGINAL EQUIPMENT MANUFACTURERS NAMES AND PART NUMBERS ARE USED FOR IDENTIFICATION PURPOSES ONLY,
AND WE IN NO WAY IMPLYING THAT OUR PRODUCTS ARE ORIGINAL EQUIPMENT PARTS



Grundplattenteile
Bedplate parts
Pièces du plateau fondamental
Piezas del cárter

PFAFF 5625



☐ siehe Kapitel 2 Erläuterung der Schlüsselzeichen
 see chapter 2 Explanation of key markings
 voir le chap. 2 Explication des symboles
 véase el Cap. 2 Explicaciones de los signos clave

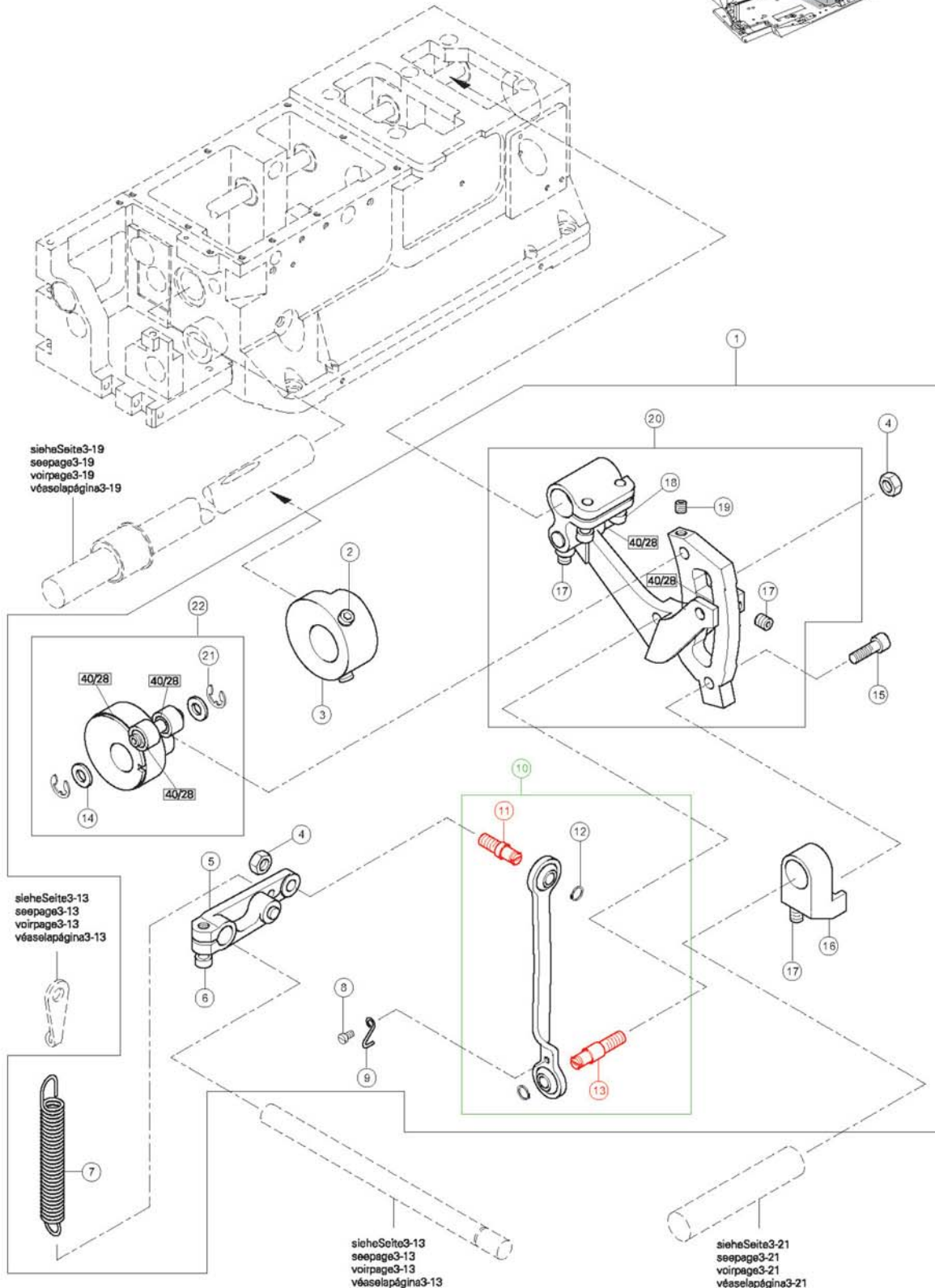
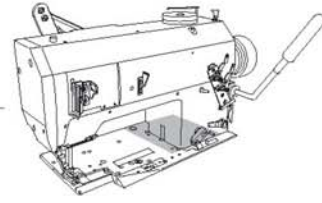


Porter TE-32 PFAFF 5625 Tape Edge				
Number	PFAFF Number	RE	Description	QTY Ordered
1	91-178 328-91	6ZP174	feed regulating assy. Comp.	
2	11-341 902-15	6Z7629	seet screw	
3	91-178 333-92	6ZP175	eccentric collar	
4	12-005 195-15	6ZP167	nut	
5	91-172 730-92	6ZD549	lever	
6	11-130 224-15	6ZP162	Screw	
7	91-172 829-05	6Z9843	tension spring	
8	11-108 090-15	6ZP161	Screw	
9	91-172 729-05	6ZD601	lock spring	
10	91-178 329-91	6ZD550	connecting rod, complete	
11	91-172 728-05	6ZP172	threaded stud	
12	12-610 190-45	6ZP169	snap ring	
13	91-172 727-05	6ZP171	threaded stud	
14	91-169 556-05	6ZD034	washer	
15	11-130 233-15	6ZP164	Screw	
16	91-178 336-92	6ZD564	holder	
17	11-341 905-15	6ZP166	screw	
18	11-130 227-15	6ZP163	Screw	
19	11-330 952-15	6ZB158	Screw	
20	91-271 146-91	6ZP565	feed adjusting assy	
21	12-640 170-55	6ZP566	E-clip	
22	91-271 147-91	6ZC693	feed eccentric assy.	

ALL ORIGINAL EQUIPMENT MANUFACTURERS NAMES AND PART NUMBERS ARE USED FOR IDENTIFICATION PURPOSES ONLY,
 AND WE IN NO WAY IMPLYING THAT OUR PRODUCTS ARE ORIGINAL EQUIPMENT PARTS

Grundplattenteile
Bedplateparts
Piècesduplateaufondement
Piezasdelcárter

PFAFF5625



□ sieheKapitel2ErläuterungderSchlüsselzeichen
seechapter2Explanationofkeymarkings
voirchap.2Explicationdessymboles
véaseelCap.2Explicacionesdelos signosclave

Jumpsource

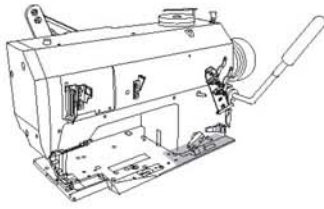
Sales@jumpsource.com



877-850-6957(Toll Free)
978-998-4404(Local)
978-998-4823(Fax)

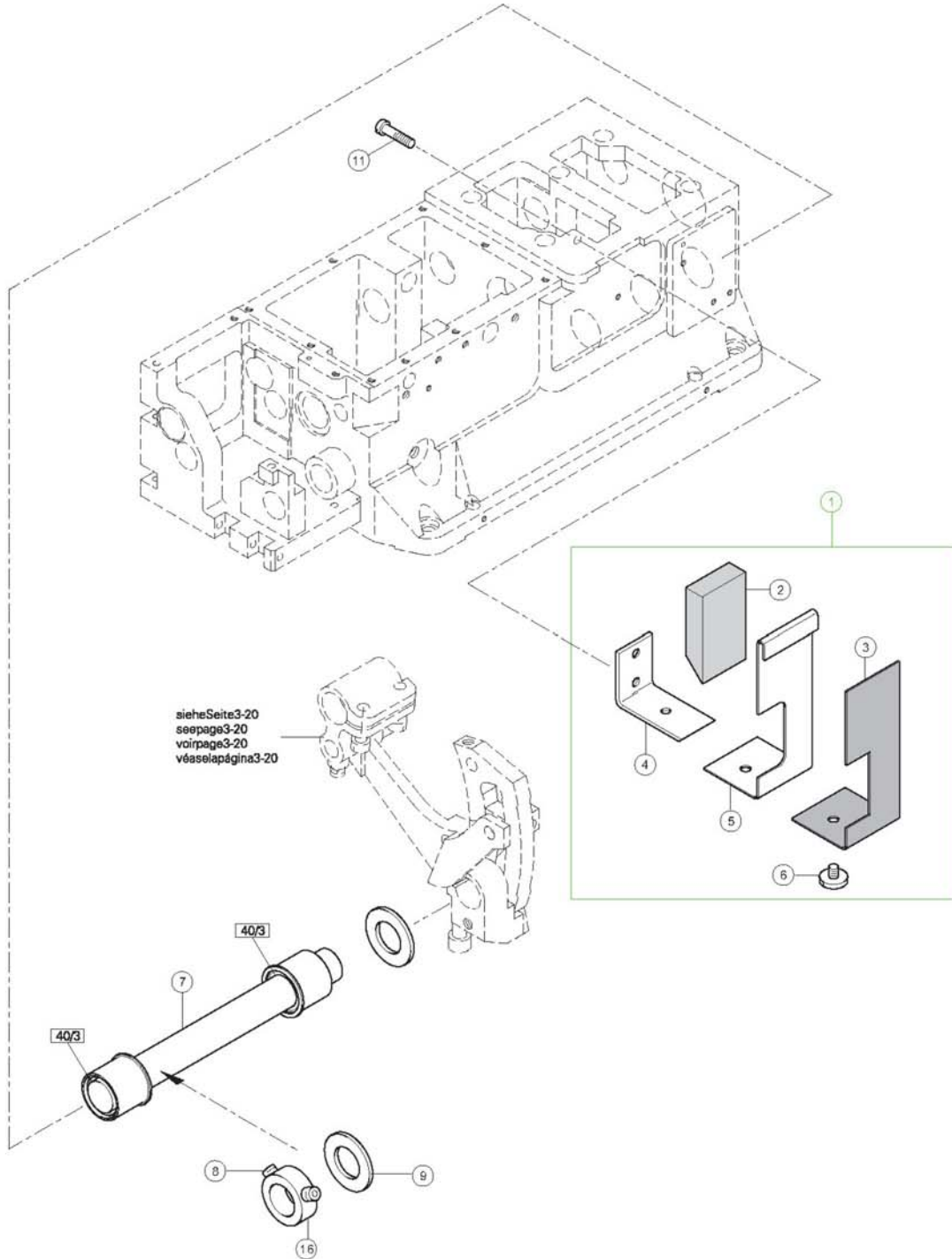
Porter TE-32 PFAFF 5625 Tape Edge				
Number	PFAFF Number	RE	Description	QTY Ordered
1	91-172 798-91	6Z9794	lube pad assy., complete	
2	91-172 018-45	6ZD588	pad, lubricating	
3	91-172 822-05	6ZP182	oil felt	
4	91-172 739-05	6ZP180	angle	
5	91-172 740-05	6ZP181	spring	
6	11-178 166-15	6ZP177	screw	
7	91-271 148-91	6ZP183	shaft	
8	11-341 901-15	6Z9230	screw	
9	91-172 732-05	6ZP179	washer	
11	11-108 186-15	6ZP176	screw	
16	91-118 893-92	6ZP178	collar	

ALL ORIGINAL EQUIPMENT MANUFACTURERS NAMES AND PART NUMBERS ARE USED FOR IDENTIFICATION PURPOSES ONLY,
AND WE IN NO WAY IMPLYING THAT OUR PRODUCTS ARE ORIGINAL EQUIPMENT PARTS



Grundplattenteile
 Bedplateparts
 Piècesduplateaufondamental
 Piezasdelcárter

PFAFF5625



sieheSeite3-20
 seepage3-20
 voirpage3-20
 véaselapágina3-20


 sieheKapitel2ErläuterungderSchlüsselzeichen
 seechapter2Explanationofkeymarkings
 voirchap.2Explicationdesymbóles
 véaseelCap.2Explicacionesdelossignosclave

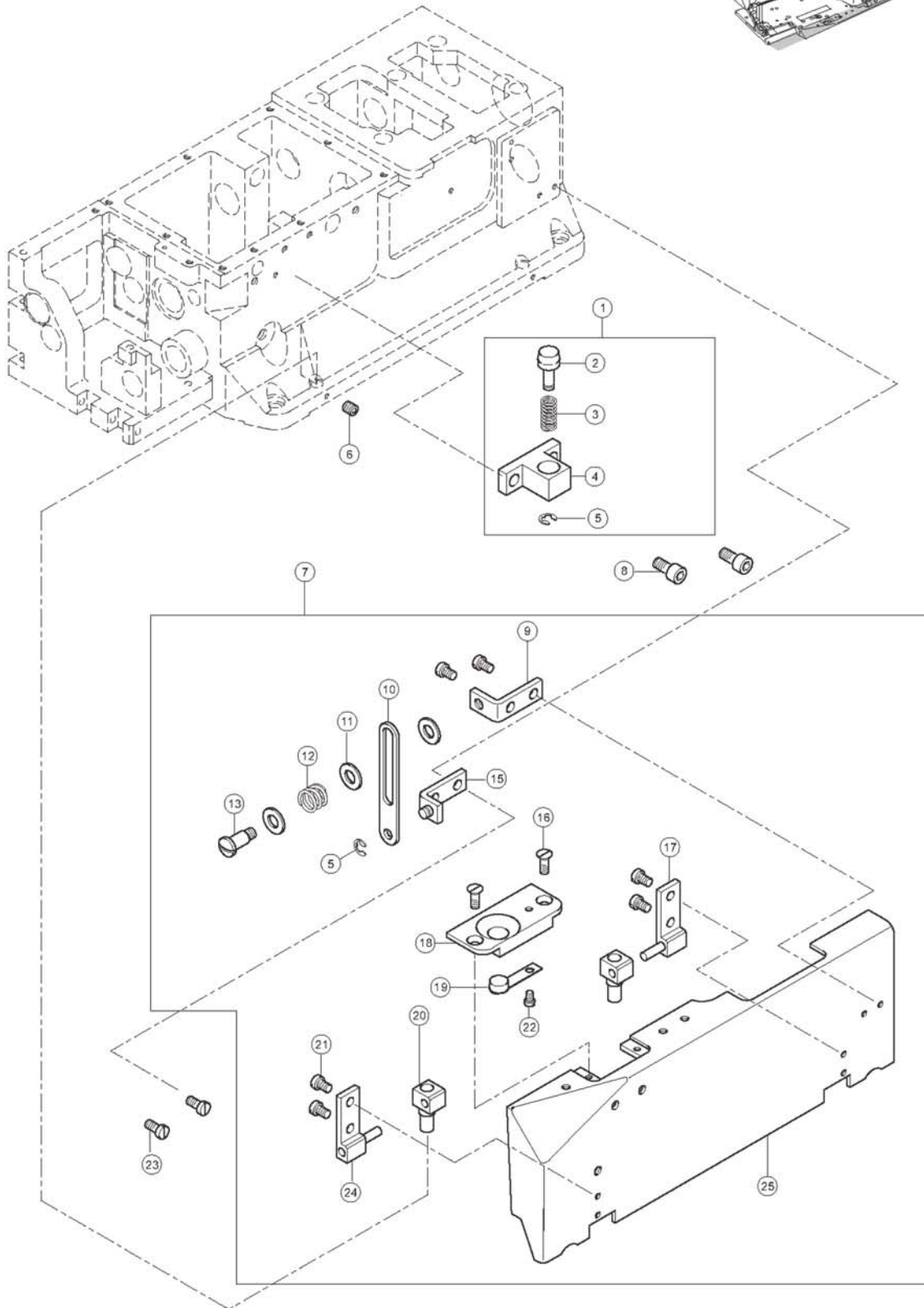
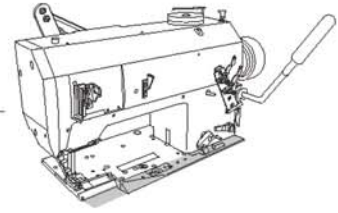



Porter TE-32 PFAFF 5625 Tape Edge				
Number	PFAFF Number	RE	Description	QTY Ordered
1	91-172 757-91	6ZD275	lock assy., complete	
2	91-172 759-15	6ZP188	lock pin	
3	91-009 343-05	6ZD602	spring	
4	91-172 758-15	6ZP187	spring lock block	
5	12-640 150-55	6Z7614	E-clip	
6	11-330 952-15	6ZB158	Screw	
7	91-172 760-71/895	6ZP189	cover assy., complete	
8	11-130 224-15	6ZB265	Screw	
9	91-172 771-15	6ZP195	slide mount bracket	
10	91-172 772-15	6ZP196	slide guide bracket	
11	12-305 174-15	6ZB133	washer	
12	91-045 739-05	6ZB267	spring	
13	91-700 561-15	6ZB266	pivot screw	
15	91-172 773-11	6ZP197	front cover pivot bracket	
16	11-210 168-15	6ZP186	Screw	
17	91-172 764-91	6ZP192	hinge bracket right	
18	91-172 767-25	6ZP194	lock plate	
19	91-172 768-21	6ZD276	lock release	
20	91-172 766-15	6ZP193	hinge pin	
21	11-108 171-15	6Z6970	Screw	
22	11-108 087-15	6ZP183	Screw	
23	11-108 174-15	6ZP185	Screw	
24	91-172 762-91	6ZP191	hinge bracket left	
25	91-172 761-75/895	6ZP190	cover	

ALL ORIGINAL EQUIPMENT MANUFACTURERS NAMES AND PART NUMBERS ARE USED FOR IDENTIFICATION PURPOSES ONLY,
AND WE IN NO WAY IMPLYING THAT OUR PRODUCTS ARE ORIGINAL EQUIPMENT PARTS

Grundplattenteile
 Bedplateparts
 Piècesduplateaufondamental
 Piezasdelcárter

PFAFF5625



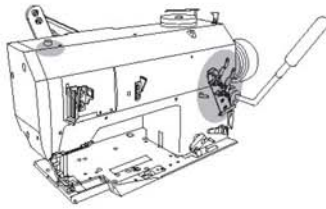

 sieheKapitel2ErläuterungderSchlüsselzeichen
 seechapter2Explanationofkeymarkings
 voirlechap.2Explicationdessymboles
 véaseelCap.2Explicacionesdelossignosclave

Jumpsources

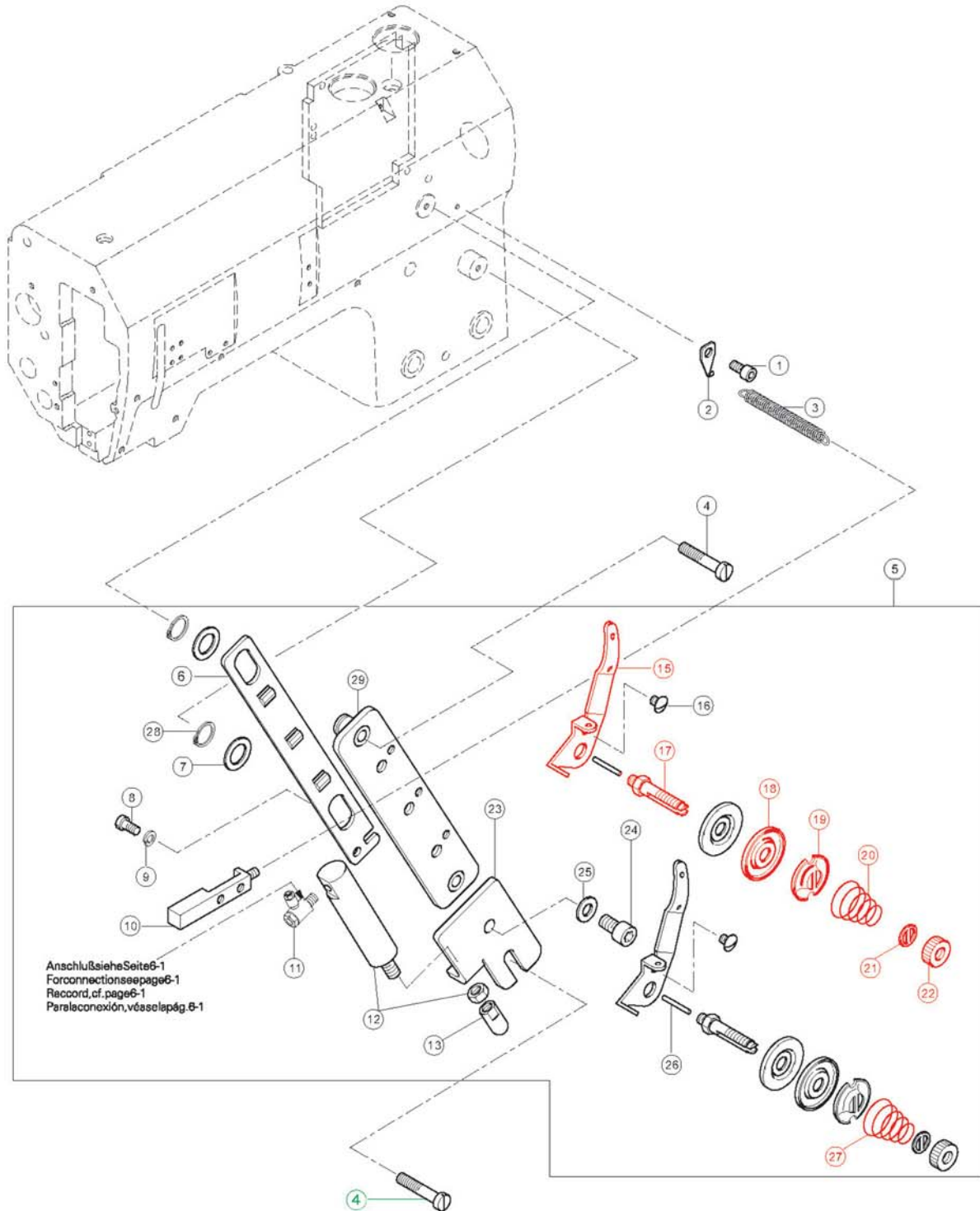


Porter TE-32 PFAFF 5625 Tape Edge				
Number	PFAFF Number	RE	Description	QTY Ordered
1	11-130 194-15	6ZP280	Screw	
2	91-021 124-15	6Z8078	spring retaining bracket	
3	91-046 678-05	6Z8079	spring	
4	11-108 246-25	6Z9572	Screw	
5	91-271 106-91	6ZP286	thread tensioner, complete	
6	91-169 633-25	6Z8080	tension bracket	
7	12-360 084-05	6ZP282	washer	
8	11-108 174-15	6Z8972	Screw	
9	12-499 150-45	6ZP283	washer, lock	
10	95-632 305-15	6ZP289	tension block	
11	18-378 008-91	6ZP284	air fitting	
12	99-133 934-91	6ZB220	air cylinder	
13	95-602 137-05	6ZP287	cylinder adjustment sleeve	
15	91-169 594-25	6Z9873	thread guide	
16	91-701 344-15	6Z9194	Screw	
17	91-172 810-05	6Z7636	tension stud	
18	91-002 165-05	6Z8949	disc, tension	
19	91-010 181-25	6Z9576	disc, tension	
20	91-010 183-05	6Z8950	spring, tension	
21	91-105 447-25	6ZP285	spring guide washer	
22	91-001 522-25	6Z8951	tension adjustment nut	
23	95-632 297-15	6ZP288	cylinder bracket	
24	11-130 281-15	6ZP281	Screw	
25	12-305 174-15	6ZB133	washer	
26	13-033 103-05	6Z9193	pin	
27	91-009 276-05	6ZA830	tension spring	
28	12-610 230-45	6ZC426	snap ring	
29	91-178 029-21	6ZP296	tension bracket	

ALL ORIGINAL EQUIPMENT MANUFACTURERS NAMES AND PART NUMBERS ARE USED FOR IDENTIFICATION PURPOSES ONLY,
 AND WE IN NO WAY IMPLYING THAT OUR PRODUCTS ARE ORIGINAL EQUIPMENT PARTS



Pneumatische Spannungs-lüftung(-906/07)
Pneumatic tension release(-906/07)
Débrayage pneumatique de la tension(-906/07)
Interrupción neumática de la tensión(-906/07) PFAFF5625-657-01



Sales@jumpsourc.com



877-850-6957(Toll Free)

978-998-4404(Local)

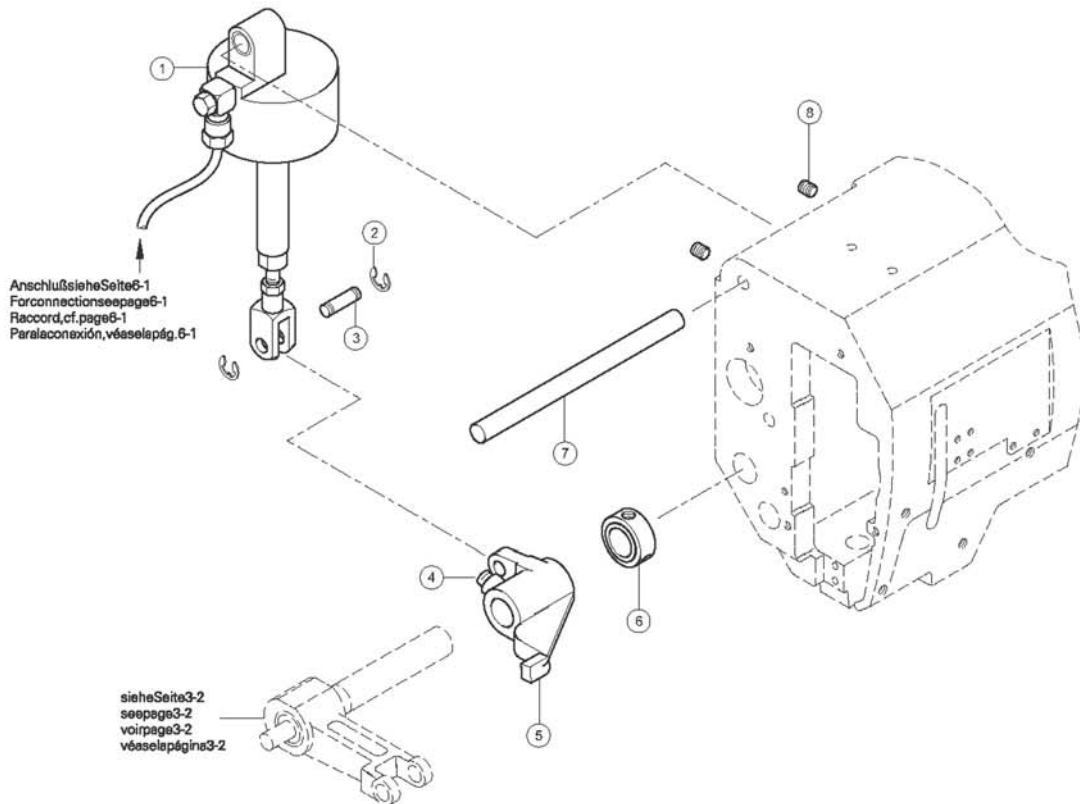
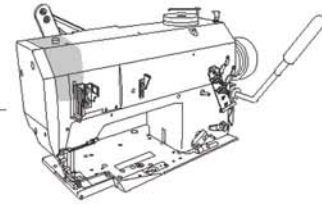
978-998-4823(Fax)

Porter TE-32 PFAFF 5625 Tape Edge				
Number	PFAFF Number	RE	Description	QTY Ordered
1	95-215 000-04/847	6ZP295	air cylinder, foot lift	
2	12-640 170-55	6ZC249	E-clip	
3	91-125 933-05	6ZP291	pivot pin	
4	11-330 960-15	6ZC760	screw, allen	
5	91-266 700-92	6ZP294	crank	
6	91-171 175-07	6ZP292	collar	
7	91-266 697-05	6ZP293	shaft	
8	11-341 904-15	6ZP290	set screw	

ALL ORIGINAL EQUIPMENT MANUFACTURERS NAMES AND PART NUMBERS ARE USED FOR IDENTIFICATION PURPOSES ONLY,
AND WE IN NO WAY IMPLYING THAT OUR PRODUCTS ARE ORIGINAL EQUIPMENT PARTS

Presserfuß-Automatik(-910/04)
 Automatic presserfoot lifter(-910/04)
 Relève-pied automatique(-910/04)
 Alzaprensatelas(-910/04)

PFAFF5625-657/01



siehe Kapitel 2 Erläuterung der Schlüsselzeichen
 see chapter 2 Explanation of key markings
 voir le chap. 2 Explication des symboles
 véase el Cap. 2 Explicación de los signos clave

Jumpsource

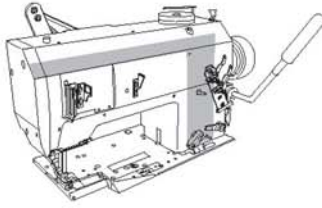
Sales@jumpsource.com



877-850-6957(Toll Free)
978-998-4404(Local)
978-998-4823(Fax)

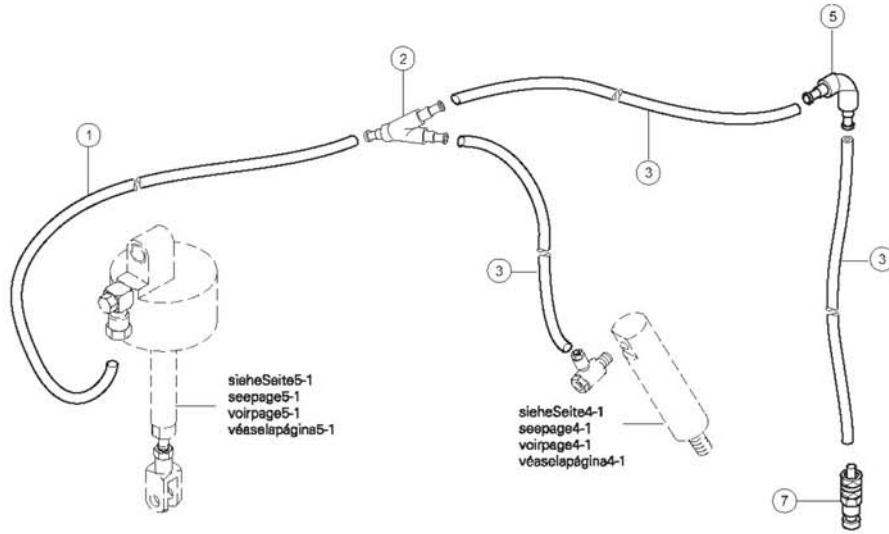
Porter TE-32 PFAFF 5625 Tape Edge				
Number	PFAFF Number	RE	Description	QTY Ordered
1	25-308 820-25	6ZP296	air line	
2	99-135 002-95	6ZP298	Y air fitting	
3	25-308 820-30	6ZP297	air line	
5	99-136 071-95	6ZP299	air fitting, 90*	
7	99-134 256-91	6ZP380	air fitting	
8	61-111 600-35	6Z9857	C clamp	
9	61-111 633-60	6Z9859	adjusting gauge	
10	61-111 600-01	6Z9858	feeler guage	
11	61-111 643-55	6Z9860	adjusting pin	

ALL ORIGINAL EQUIPMENT MANUFACTURERS NAMES AND PART NUMBERS ARE USED FOR IDENTIFICATION PURPOSES ONLY,
AND WE IN NO WAY IMPLYING THAT OUR PRODUCTS ARE ORIGINAL EQUIPMENT PARTS



Pneumatische Ausrüstung
Pneumatic equipment
Equipement pneumatique
Equiponeumático

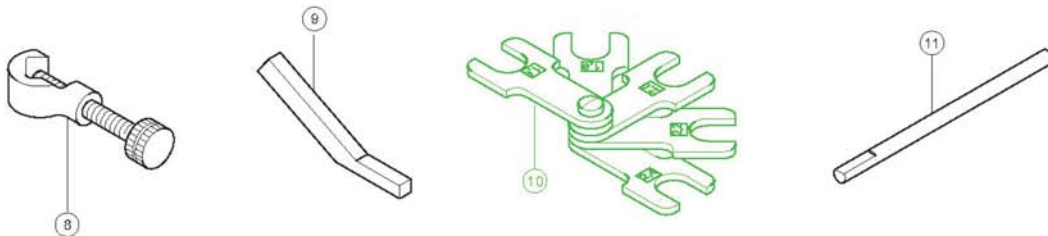
PFAFF5625-657/01



Einstellehren
Adjustment gauges
Calibres
Calibres de ajuste

PF AFF5625

7



Jumpsource

siehe Kapitel 2 Erläuterung der Schlüsselzeichen
 see chapter 2 Explanation of key markings
 voir le chap. 2 Explication des symboles
 véase el Cap. 2 Explicación de los signos clave



jumpsource

Locations:

Corporate Headquarters,
1200 NW 17th Ave
Suite 21
Delray Beach, Florida 33445

Shanghai
No.1122 Xin Jin qiao Road Pudong Shanghai PR.China 210206
Phone : +86-21-61016165

Dsi
Dunlap Sunbrand International
Hopkinsville, KY

Mexico City
Jumpsource
Mexico City, Mexico

100 Cummings Center, Suite 359C
Beverly MA,01915
Phone : 978-969-1872
Fax: 978-998-4823